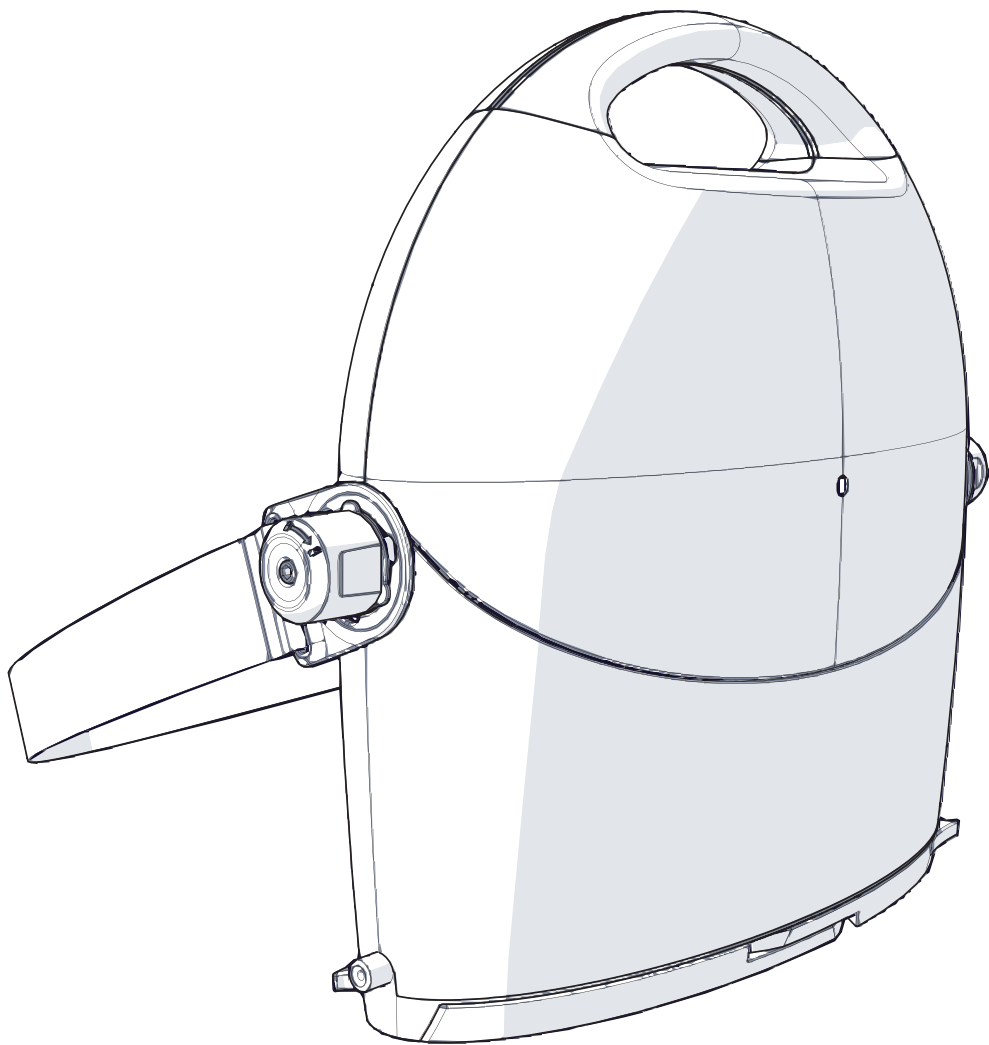








Instruction Manual
Portable Gas Barbecue

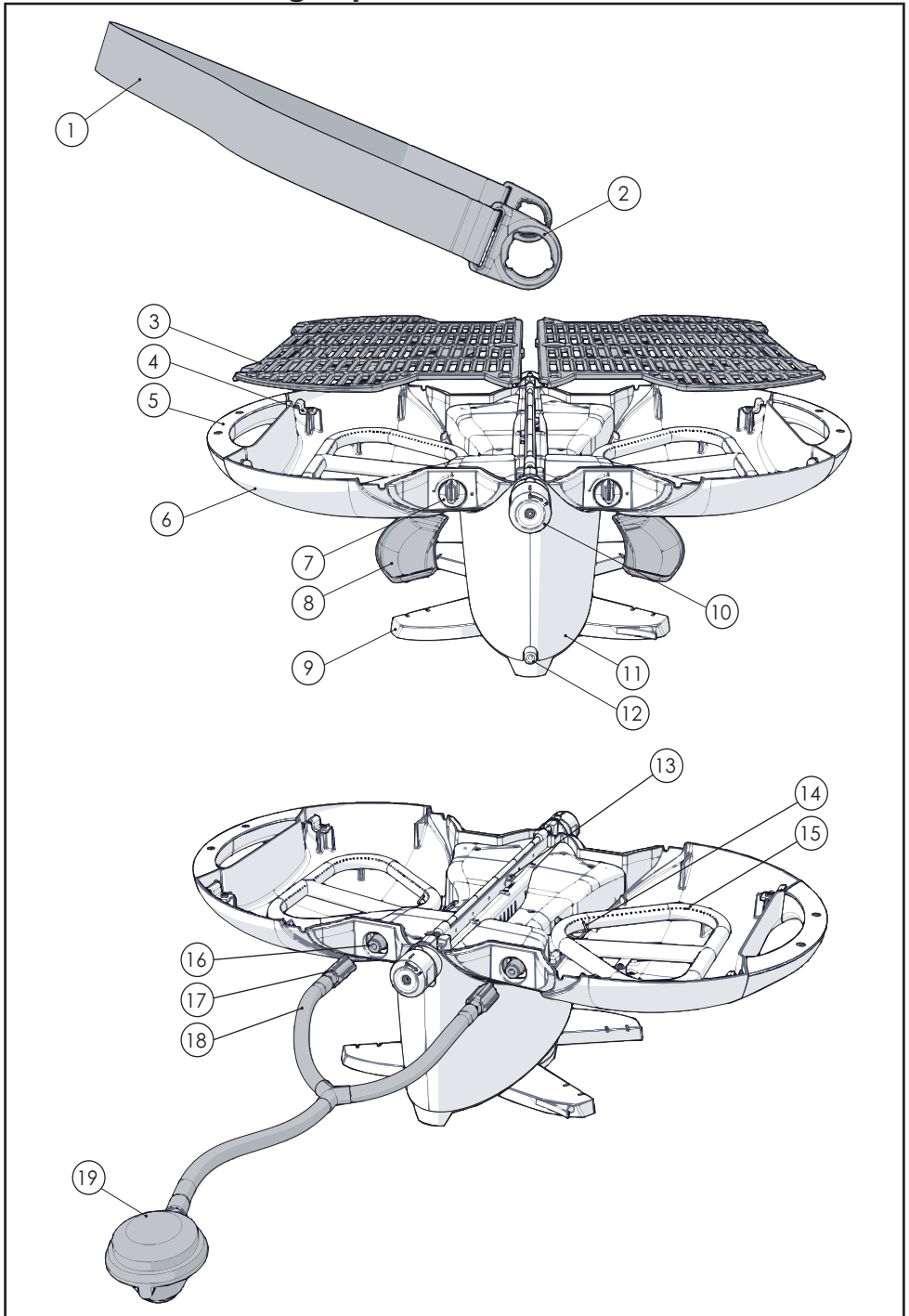


nomadiQ
bbq everywhere

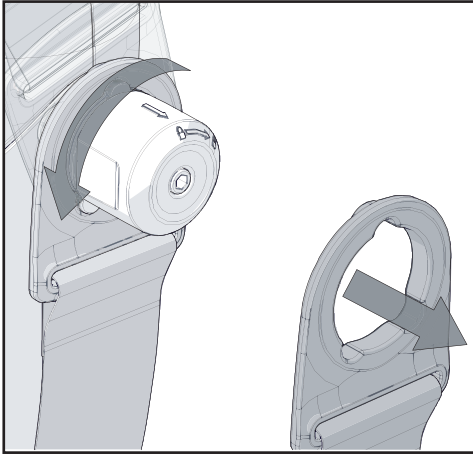
Language Index

		Page
	Instruction Manual	10
	Bedienungsanleitung	19
	Manual de instrucciones	29
	Manuale di istruzioni	39
	Gebruiksaanwijzing	49
	Manuel d'instructions	59

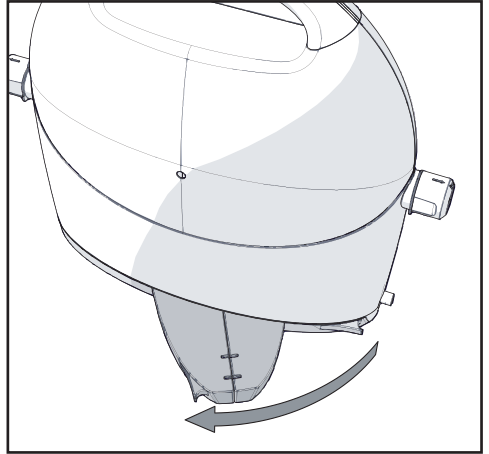
Drawings & product instruction visuals



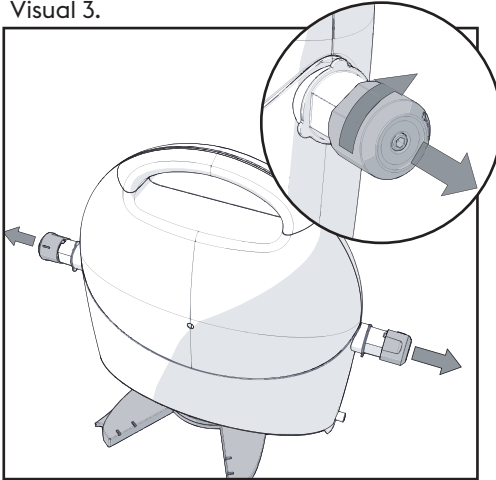
Visual 1. & 2.



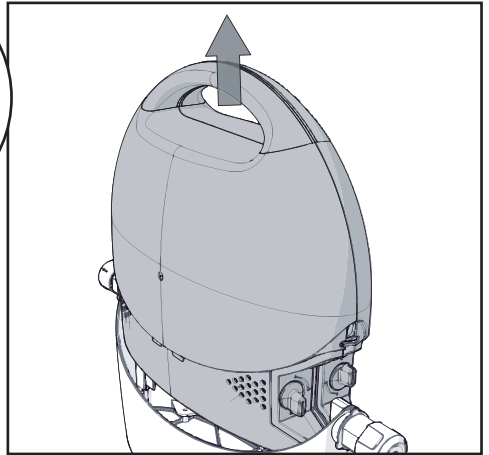
Visual 3.



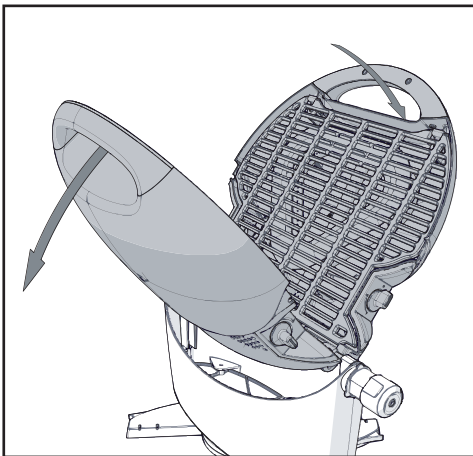
Visual 4.



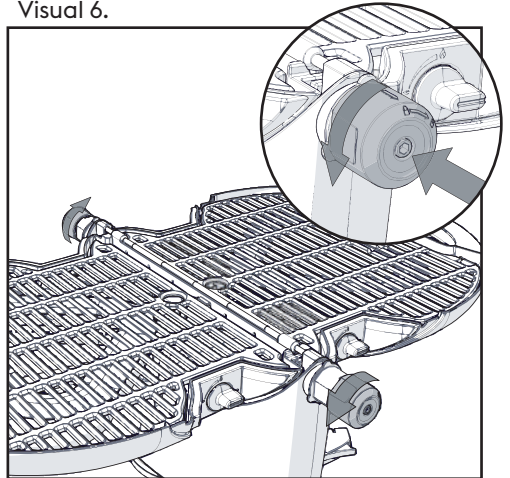
Visual 5.



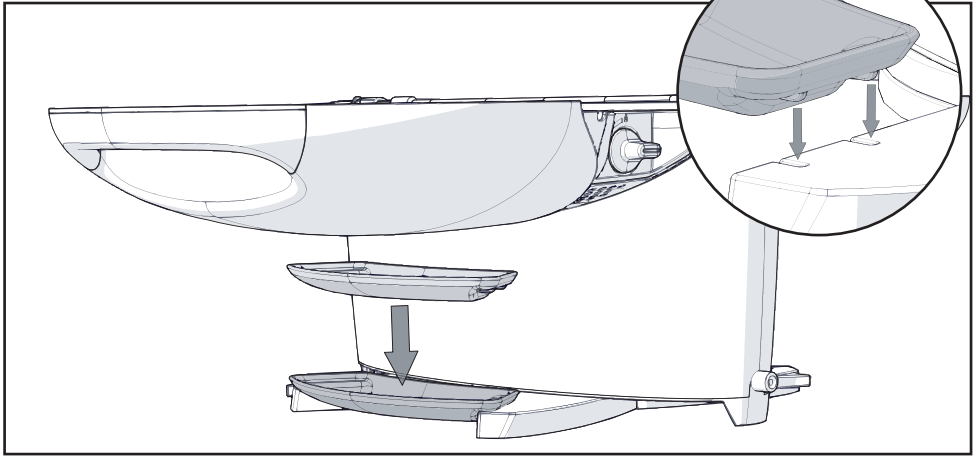
Visual 6.



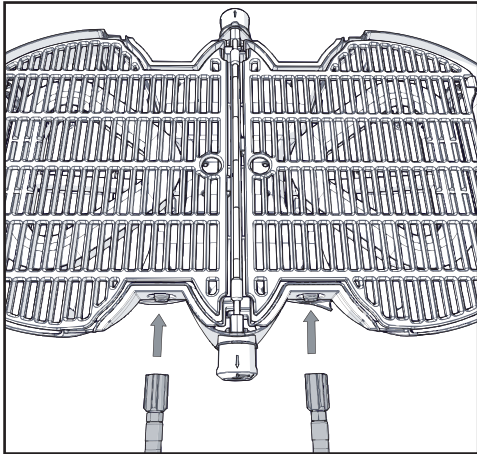
Visual 7.



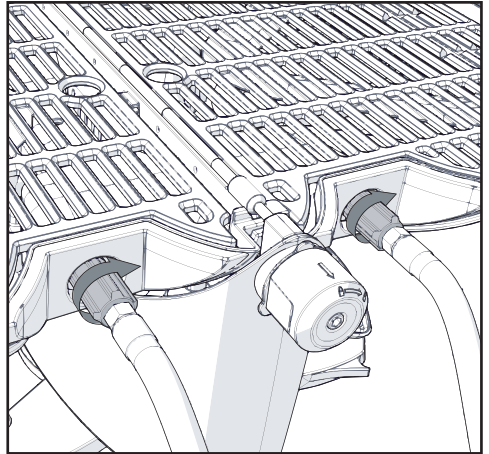
Visual 8.



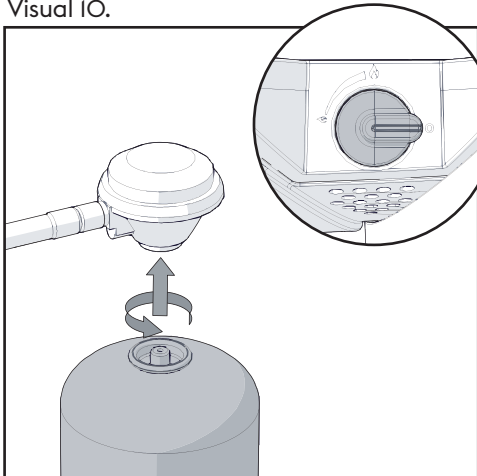
Visual 9.



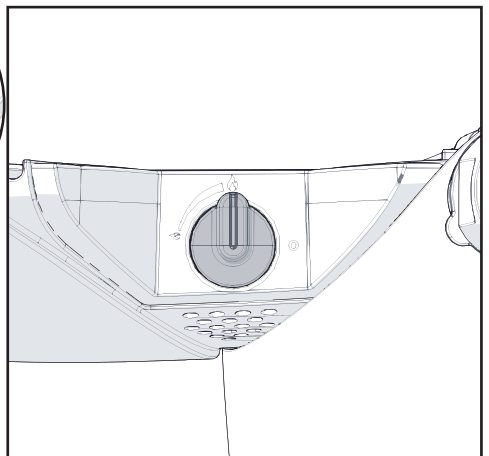
Visual 10.



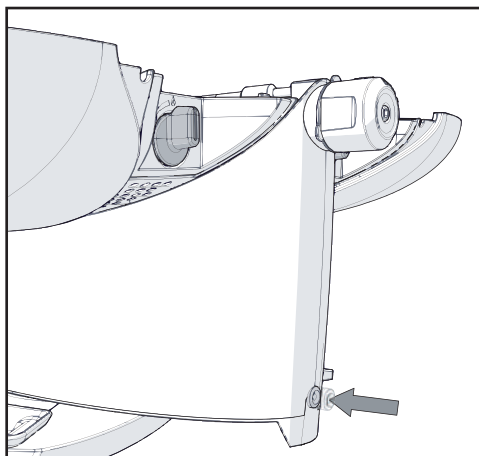
Visual 11.



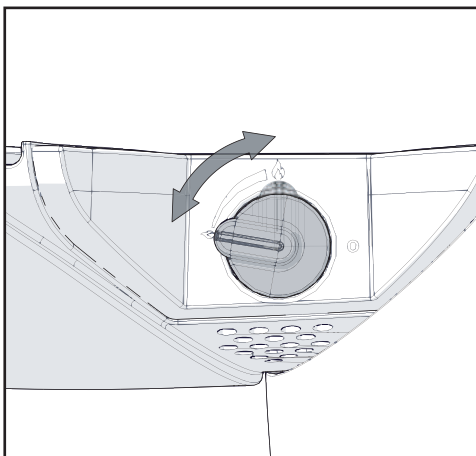
Visual 12.



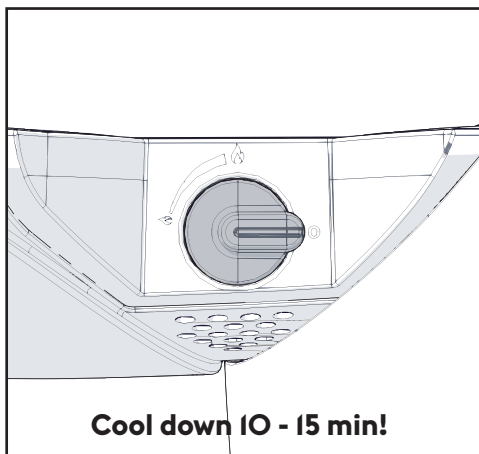
Visual 13.



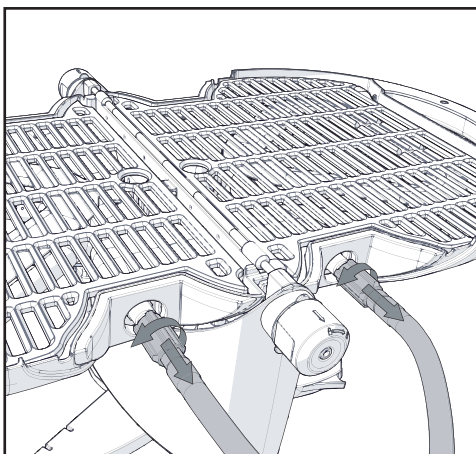
Visual 14.



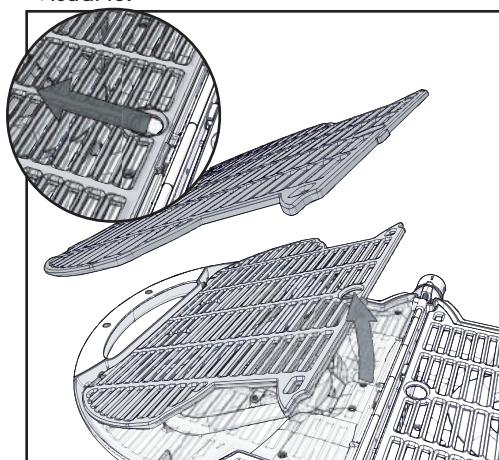
Visual 15.



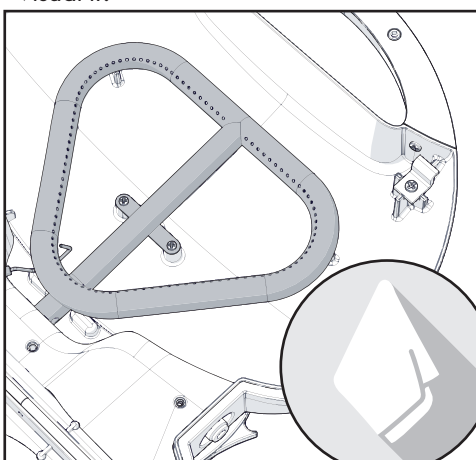
Visual 16.



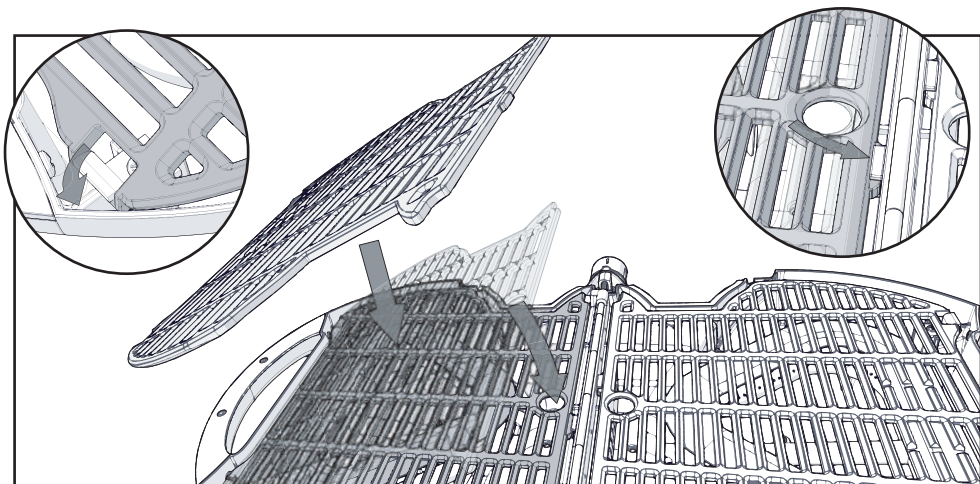
Visual 17.



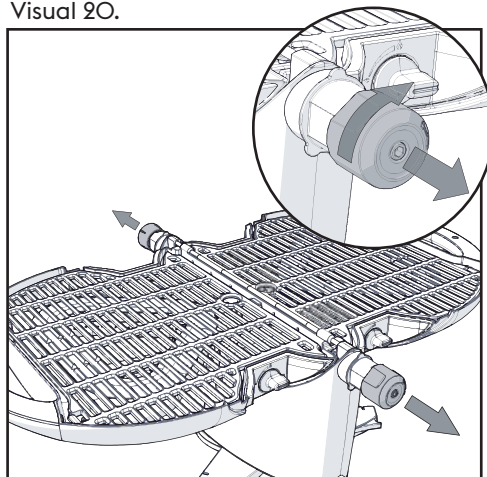
Visual 18.



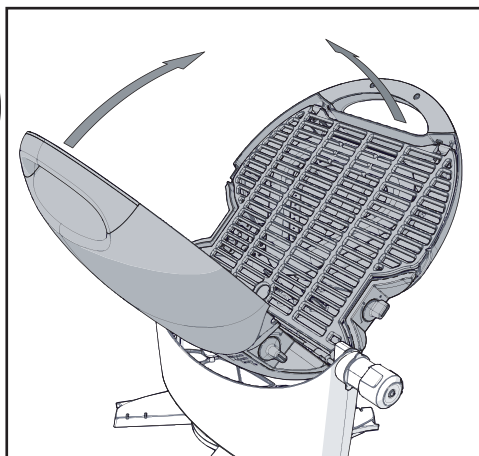
Visual 19.



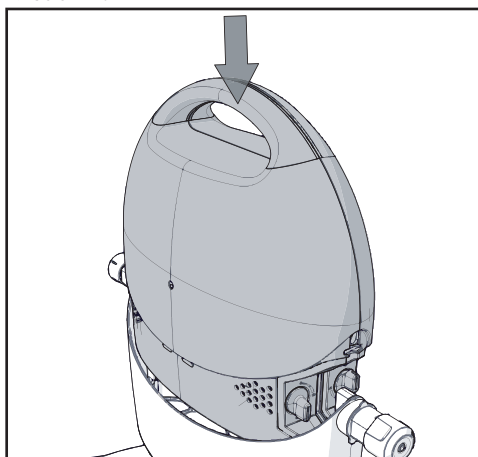
Visual 20.



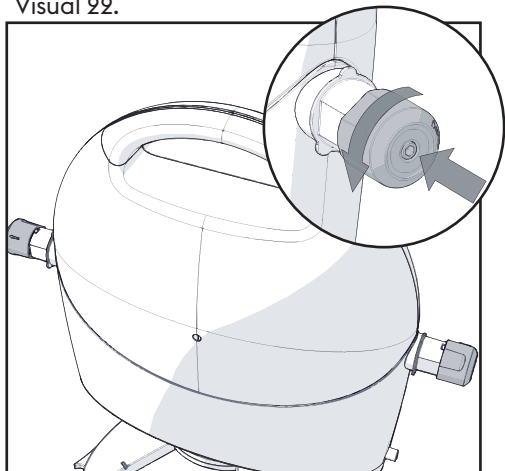
Visual 21.



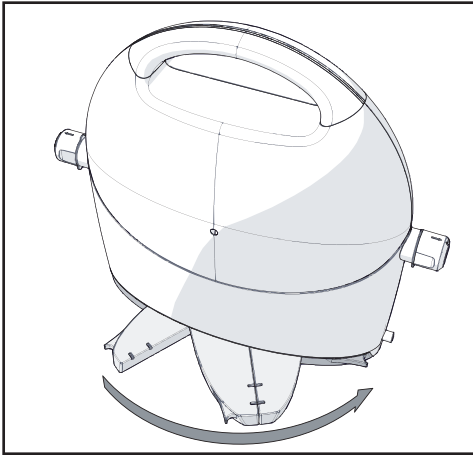
Visual 22.



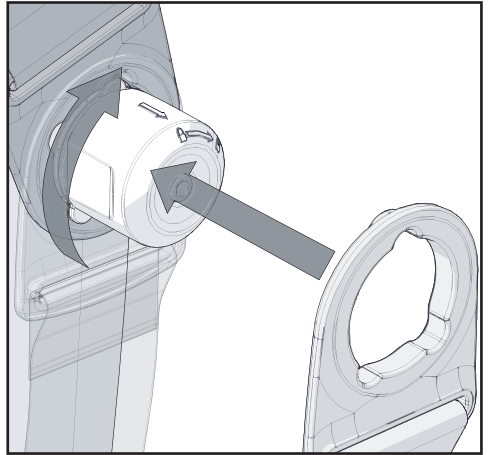
Visual 23.



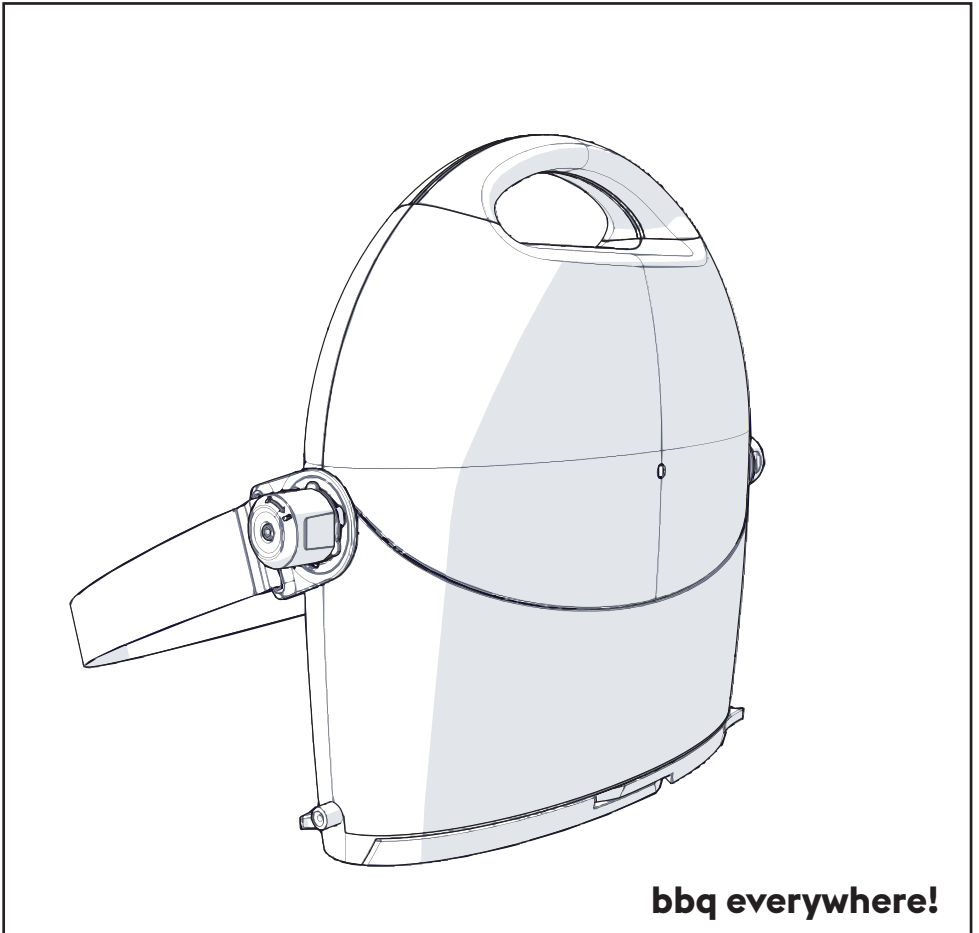
Visual 24.



Visual 25.



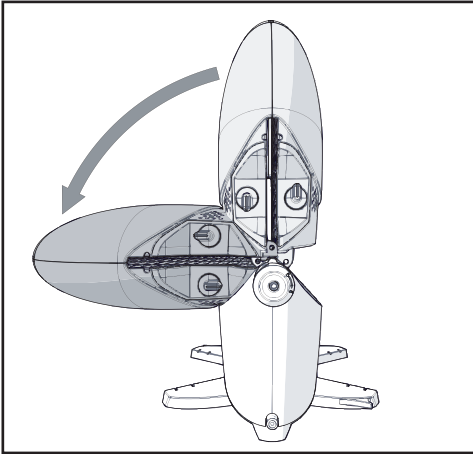
Visual 26.



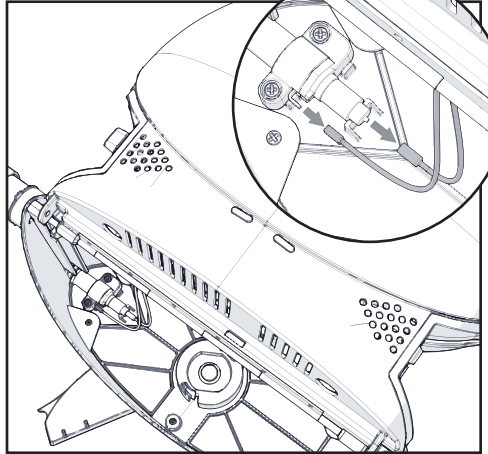
bbq everywhere!

Visual 27.

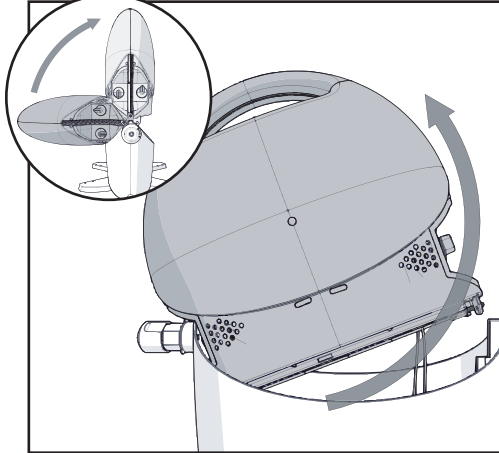
Extensive cleaning & annual maintenance



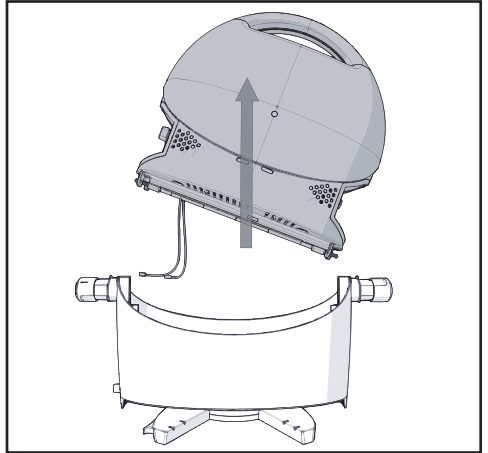
Visual 28.



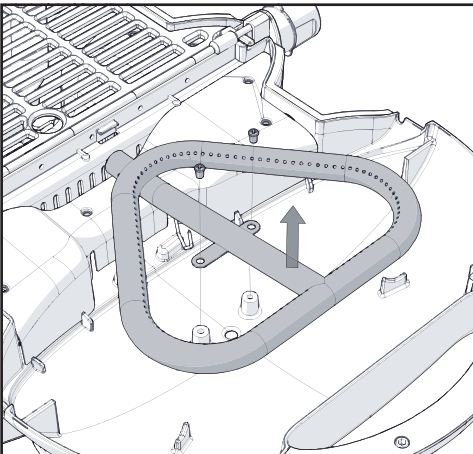
Visual 29.



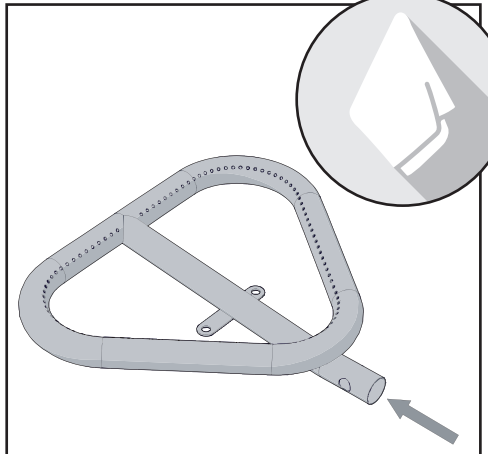
Visual 30.



Visual 31.



Visual 32.



Visual 33.

Instruction Manual
nomadiQ portable gas barbecue

Thank you!

Thank you for choosing nomadiQ, world's first real portable gas barbecue. We hope you will find the instructions of this user manual useful and easy to follow. It will only take a few minutes of your time to learn how to use the product correctly and experience the best of it. Enjoy grilling (almost) everywhere!

After you have finished reading the instructions, please keep this manual in a safe place for future reference.

Kind regards,

Team nomadiQ

Table of Content

1. Warnings & Safety instructions	page 11
2. Drawings & product instruction visuals	page 12
3. Gas connections & regulator(s)	page 12
4. Instruction for use;	page 14
4.1 Prepare for usage	
4.2 During operation	
4.3 After usage	
5. Trouble shooting	page 15
6. Cleaning & Maintenance	page 15
7. Service & After sales	page 16
8. Warranty	page 17
9. Technical specifications & Lighting Instructions	page 18

I. Warnings & Safety instructions

WARNING!

- DO NOT OPERATE THIS APPLIANCE BEFORE READING THE INSTRUCTION MANUAL CAREFULLY
- DO NOT OPERATE THIS APPLIANCE INDOORS, THE APPLIANCE IS FOR OUTDOOR USE ONLY
- DO NOT PLACE ARTICLES ON OR AGAINST THIS APPLIANCE
- DO NOT STORE OR USE ANY CHEMICALS OR FLAMMABLE MATERIALS OR SPRAY AEROSOLS NEAR THIS APPLIANCE
- READ THESE INSTRUCTIONS FOR USE CAREFULLY SO AS TO FAMILIARIZE YOURSELF WITH THE APPLIANCE BEFORE CONNECTING IT TO ITS GAS CARTRIDGE/ CONTAINER.

DANGER!

IF YOU SMELL GAS;

- SHUT OFF GAS TO THE APPLIANCE.
- EXTINGUISH ANY OPEN FLAMES.
- IF ODOUR CONTINUES, KEEP AWAY FROM THE APPLIANCES AND IMMEDIATELY CALL YOUR GAS SUPPLIER OR YOUR FIRE SERVICE.

Leaking gas may cause a fire or explosion which can cause serious bodily injury or death, or damage to property.

WARNING!

FOLLOW ALL LEAK-CHECK PROCEDURES CAREFULLY IN THIS INSTRUCTION MANUAL PRIOR TO BARBECUE OPERATION. DO THIS EVEN IF THE GAS SUPPLY WAS DEALER ASSEMBLED.

General warnings and safety instructions;

1. Follow all warnings and safety instructions when using the appliance.
2. Keep this instruction manual for future reference.
3. Do not use this grill unless all parts are in place. The product must be properly assembled, please follow the instructions carefully.
4. When installing the product, ensure it's on a stable (horizontal) and equal surface, which is large and strong enough to support the product and will withstand temperatures of 60°C above ambient temperature.
5. Ensure that the product has adequate clearance from combustible materials. All combustible materials must be kept more than 250mm from the sides and rear of the product and more than 1500mm above the cooking surface of the barbecue.
6. While igniting the appliance or cooking, never lean over the product.
7. This appliance should never be used by children. Accessible parts of the grill may be very hot. Keep young children, elderly and pets on a safe distance while using the product.
8. Caution when using the appliance. It will be hot during and after use, and should never be left unattended, or moved while in operation.
9. Should the burner go out while the product is in operation, turn the product off by closing the gas valve. Wait a few minutes before attempting to relight the appliance, following the instructions in this manual.
10. Do not put a grill cover or anything flammable on the grill while appliance is in operation or is (still) hot.
11. People with flammable clothing such as nylon, should keep well away from the barbecue when it is operating.
12. Should an uncontrolled flare-up occur, move food away from the flames until flaring subsides.
13. Should a grease fire occur, turn off the burner/ appliance until fire is out.
14. This gas grill is not intended for commercial use.
15. Particular care must be taken when removing the drip trays and/ or disposable trays. Mishandling of hot oil and fats can cause serious injury.
16. The appliance should be thoroughly cleaned on a regular basis.
17. Use heat-resistant barbecue tools and/ or oven gloves when operating the grill.
18. Keep electrical mains lead and the fuel supply hose away from heated surfaces.
19. Do not attempt to disconnect the gas regulator, cartridge/ canister or any gas fitting while your grill is in operation.
20. Use the regulator that is supplied with the appliance.
21. Only use original accessories or other original parts to work with the product.
22. Do not operate the gas grill if there is a gas leak present.
23. Do not use a flame to check for gas leaks.
24. Use butane (disposable) cartridges/ cylinders only. Preferably cartridge with an EN417 valve as illustrated in this manual.
25. Butane gas is not natural gas. The conversion or attempted use of natural gas in a butane gas unit is dangerous and will void your warranty.
26. Do not store an extra (spare) or disconnected gas supply cartridge/ cylinder under or near this grill

27. Although your gas supply cartridge/ cylinder may appear to be empty, gas may still be present, and the cartridge/ cylinder should be transported and stored accordingly.
28. Make sure you are outdoors and away from any source of ignition when changing or connecting cartridge or cylinder.
29. After a period of storage and/or non-use, the gas grill should be checked for gas leaks and burner obstructions before use. See instructions in this instruction manual for correct procedures.
30. A dented or rusty gas supply cartridge/ cylinder may be hazardous and should be checked by your gas supplier. Do not use a gas supply cartridge/cylinder with a damaged valve.
31. Do not use or store this appliance in areas of high salt content (a marine environment) or an area with caustic fumes or liquids (such as a domestic pool), as these chemicals can cause the appliance materials to deteriorate (and void the warranty).
32. Do not carry out any servicing on the gas manifold of the barbecue yourself – this must only be done by authorised technicians.
33. Do not use charcoal, briquettes or lava rock in this appliance.
34. Do not place grill on glass or a combustible surface.
35. The use of alcohol, prescription drugs, non-prescription drugs, or illegal drugs may impair the consumer's ability to properly and safely assemble, move, store or operate the appliance.
36. This appliance is not intended for and should never be used as a heater.
37. Do not enlarge valve orifice or burner ports when cleaning the valve or burner.
38. Do not build this appliance in any built-in or slide-in construction. Ignoring this warning could cause a fire or an explosion that can damage property and cause serious bodily injury or death.

2. Drawings & product instruction visuals

Assembly drawing(s) & Part list, **reference visuals 1 & 2 on page 3.**

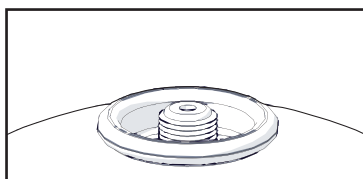
1.	Belt	11.	Base
2.	Belt clips (2x)	12.	Ignitor
3.	Grates (2x)	13.	Locking lips grates (2x)
4.	Assemble hooks grates (4x)	14.	Ignitor spark points (2x)
5.	Handles (2x)	15.	Burners (2x)
6.	Grilling shells (2x)	16.	Quick connectors male (2x)
7.	Control knobs (2x)	17.	Quick connectors female (2x)
8.	Drip-trays (2x)	18.	Gas hose assembly
9.	Foot	19.	Gas regulator
10.	Locking knobs (2x)		

Instruction visuals 3 - 27 for operation are shown on, page 4 to 9. Also find the related instructions under section 'Instructions for use' in the manual.

3. Gas connections & regulator(s)

Connecting a disposable gas cartridge

The product is standard configured for disposable gas cartridges that comply with EN417 standard and have a screw type connection as shown on visual below. The cartridges should contain butane gasses. These are common type gas cartridges that can be found at almost every outdoor related retailer worldwide.

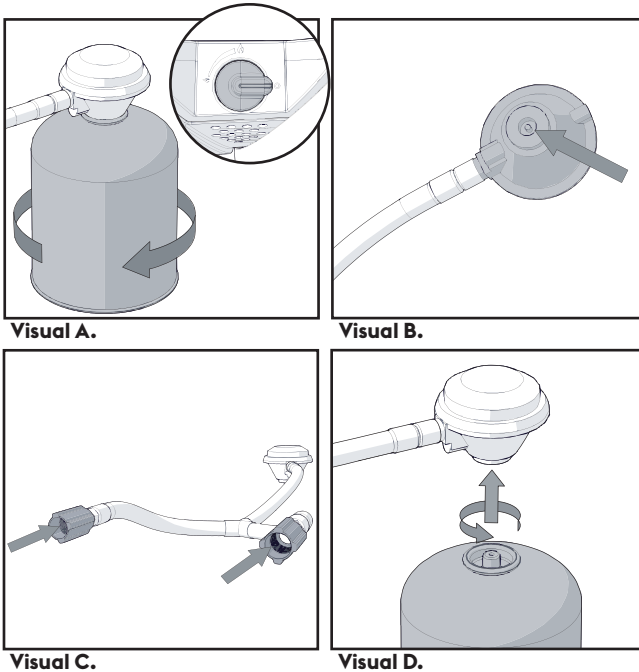


Visual EN417 (Lindal valve)

When connecting or changing the gas cartridge;

- Check if the burners are extinguished and both control knobs are on the 'O' position, before disconnecting the gas cartridge, **visual A.**
- Carefully dismantle the empty cartridge, if applicable, from the gas regulator by screwing it clockwise, **visual A.**
- Check if the seal in the gas regulator is in place and good condition, **visual B**
- Check if the seals of the quick-connectors are in place and good condition, **visual C.**

- Assemble a new cartridge on the gas regulator by screwing it counterclockwise, **visual D**. Always do this outside and away from people.
- Make sure there's no gas leakage, see 'Leak detection procedure'.
- If everything seems airtight and connected well, you're able to use the appliance again.



Before use ensure that the valve and screw connection is not damaged! Also check if the seals (between the appliance and the gas container) are in place and in good condition before connecting it to the gas container.

NomadiQ recommends to use the provided gas hose assembly with disposable gas cartridges as shown above. When considering to connect alternative gas supplies please contact our Service & After sales for further advise.

Additional instructions & tips related to the gas supply and connection.

- Disconnect the cartridge if it's empty
- Disconnect the cartridge if the grill is being stored in a garage or other enclosed area
- Disconnect the cartridge if the grill is being transported.
- Avoid kinking the hose.
- Make sure the gas supply is positioned on a stable surface and prevent that the flexible tube is twisted.
- Any parts sealed by the manufacturer must not be altered by the user.
- Any modification of the appliance may be dangerous.
- Gas supplies, especially cartridges may cool down during use and can even show icing on the outside of the supply. This phenomenon is quite common but might also influence the eventual grilling performance. Placing the gas supply in a layer of water, keeping the top part of the supply sufficiently above water level, can prevent this situation.

Leak detection procedure

Make sure the control knobs on the appliance are set on "O" and if applicable, open the valve of the gas supply/ regulator. Check for leaking joints by brushing with solution of half-liquid detergent and half water. If a leak is present, bubbles will appear (or you may hear a hissing sound). Retightening connections can generally repair a leaking joint. You must also check the gas hose and connection at the gas cylinder. If a leak cannot be resolved, do not proceed. Contact Service & After sales for further advise.

WARNING!

DO NOT USE NAKED FLAME FOR LOCATING GAS LEAKS. IF A LEAK PERSISTS CONTACT AN AUTHORISED GAS FITTER.

BEFORE EACH USE, CHECK THE GAS HOSE FOR CRACKS, CUTS, NICKS OR ABRASIONS. IF THE HOSE IS DAMAGED IN ANY WAY, DO NOT USE IT. REPLACE THE GAS HOSE USING A NOMADIQ REPLACEMENT HOSE ONLY.

4. Instruction for use

Please carefully follow the instructions below in combination with the reference visuals shown on **page 4 to 9**.

4.1 Prepare for usage

Step 1: Remove the belt, **visual 3**

Step 2: Remove the protection pouch. (This step is optional, as it depends if the appliance was additionally delivered with this accessory.)

Step 3: Open first locking mechanism by opening the foot underneath the base, **visual 4**

Step 4: Open both locking knobs on each side of the product, **visual 5**

Step 5: The grilling shells are released and can be pulled out and opened, **visual 6 & 7**

Step 6: Close the locking knobs on both sides of the grill, **visual 8**

Step 7: Install drip-stays in the foot of the appliance, **visual 9**

Step 8: Assemble quick-connectors of the gas hose assembly on each grilling shell, **visual 10 & 11**

Step 9: Connect gas supply to gas regulator, make sure that the control knobs on the product are set on 'O', **visual 12**

For further instructions related to the gas (supply) connection, please also find the 'Gas Connection' section in this manual.

4.2 During operation

Step 10: Open valve by setting control knob on the highest setting, wait for a few seconds and press the igniter on the side of the base of the product, **visual 13 & 14**

This step can be individually applied and controlled for each grilling shell.

Step 11: Control the burner flame and temperature by adjusting the control knob, **visual 15**

Also find the 'Lighting Instructions' on page 18 of this manual for further instructions.

Tips & Tricks 'during operation'

- A light coating of oil will help brown your food evenly and keep it from sticking to the grates. Always spray or brush oil onto your ingredients, but not directly on the grill while in use.

- Grilling conditions may require adjustment of the control knobs to achieve the correct grilling temperatures.

- When using a sauce or marinade with a high sugar content or other ingredients that burn easily, only brush it onto the food during the last 5 to 10 minutes of grilling.

- Remove excess fat from chops, roasts and steaks. Less fat makes cleaning easier and prevents unwanted flare-ups.

- Always be sure the grilling shells and removable drip-trays are clean before use.

For further 'Tips & Tricks' during operation of the appliance visit www.nomadiqbbq.com

4.3 After usage

Step 12: Turn the appliance OFF by closing the valve and turning the control knobs on setting 'O', **visual 16**

Step 13: **Let the unit cool down for 10 – 15 minutes!**

Step 14: Dismantle the gas supply and remove the gas hose assembly, **visual 17**

Step 15: Remove and clean the drip-trays

Step 16: Remove the grates and clean the inside of the shells and grades with a soft cleaning towel/ disposable napkin, **visual 18 & 19**

Step 17: Assemble the grates, make sure these are positioned correctly over the 2 hooks and locked by sliding the grates under the lips (located near the hinge) , **visual 20**

Step 18: Open the locking knobs on each side of the appliance, **visual 21**

Step 19: Close the shells by sliding these back in the base of the appliance, **visual 22 & 23**

Step 20: Close the locking knobs on each side of the appliance, **visual 24**

Step 21: Close the foot by rotating these back under the base of the appliance, **visual 25**

Step 22: Assemble the belt, **visual 26**

Optionally assemble the protection pouch before 'Step 22'.

...and you're good to go again!

5. Trouble shooting

BURNER WILL NOT IGNITE WHEN USING THE IGNITER

Valve is not ON/ Open --> Turn ON valve/ Open valve.

Gas hose assembly and/ or gas supply isn't installed correctly --> Re-assemble gas supply, gas hose & quick connectors.

Gas cartridge/ cylinder is low or empty --> Replace with a full gas supply.

Ignitor is not sparking --> Removes grades and carefully clean spark points with a tooth brush.

Igniter is not sparking --> Open side lockings and move both grilling shells to one side. Visually check that the cables to ignition point, or from the chassis have not been broken or disconnected.

Injection is blocked --> Contact Service & After sales for further advise.

BURNER FLAME IS ERRATIC

Burner is blocked --> Removes grades and carefully clean burning holes with a 'hard' tooth brush.

Flame is burning inside burner (hissing sound) --> Turn off burner/ appliance, allow to cool down for a few minutes and re-ignite.

Injector is partially blocked --> Contact Service and After sales for further advise.

GAS IS LEAKING FROM CONNECTIONS

Connections are loose --> Tighten loose connections (both quick connectors and regulator/ gas supply assembly).

Also check 'Leak detection procedure' under the 'Gas connections & regulator(s)' section in this manual or contact Services & After sales for further advise.

6. Cleaning & Maintenance

External cleaning

Before cleaning the appliance exterior, ensure the appliance has cooled down and is safe to touch. Painted and plastic surfaces can be cleaned using a mild household detergent or cleaner and a dry cleaning cloth (do not use scourers or harsh detergents). It is advisable to test cleaners on a small section of the appliance first. NEVER use paint thinners or similar solvents for cleaning and NEVER pour cold water over hot surfaces. Make sure all surfaces are dried carefully before covering and storing the product.

Internal cleaning

Before cleaning the internal parts of your barbecue, ensure the appliance has cooled down completely and is safe to touch. The inside can be cleaned by using some water, mild detergent and a soft sponge or cleaning towel. The non-stick coated surfaces (inside of grilling shells) should be cleaned carefully with a light wet cleaning towel. For hard to clean areas, use a little baking soda on a wet sponge and/ or soft brush. The grates with non-stick coating can be taken out and easily cleaned under the tap with water and mild detergents. All parts and surface need to be dried afterwards using a dry soft cleaning cloth.

WARNING! Spark points located in the grilling shell near the burner are sharp, be aware during cleaning to prevent injury.

Note: Non-stick coated surfaces, like the grates, will stain if food is burned into the surface(s). Do not use abrasive cleaners or sharp and/ or hard equipment, like metal cooking tools or brushes, on these surfaces as it might damage these type of coatings!

Extensive cleaning & annual maintenance

For extensive cleaning the grilling shells can be removed to clean the inner part of the base occasionally.

Please carefully follow the instructions below in combination with the reference visuals shown on **page 9**.

1. Release the grilling shells by following steps 1 to 4 as mentioned in the "instruction for use" section. Pull out both grilling shells and carefully flip both grilling shells at the end point to one side, **visual 28**

2. **Carefully disconnect/ unplug** both wires from the ignitor, located at the bottom of the base, **visual 29**

3. Return both grilling shells in vertical position and slide the grilling shells halfway the base. Tilt the grilling

shells sideways so the guiding pins are released from the base, **visual 30**

4. Release the grilling shells, still tilted in a vertical movement out of the base. The inner surface of the base as well as the outer surface of the grilling shells are now accessible for cleaning, **visual 31**

5. After cleaning, the grilling shells can be placed back in the base by following above steps vice versa. To prevent damage, ensure that both guiding pins of the grilling shells are placed correctly in the designated guiding slots in the base before sliding the shells in the base.

Cleaning and maintenance of the burner.

It's strongly recommended to inspect and clean the burner tube at least once a year, to keep your gas grill performing safely and efficiently. To remove the burner(s) for extensive cleaning and inspection, please carefully follow the instructions below in combination with the reference visuals shown on **page 9**. Also follow these steps if an irregular flame pattern is visible.

1. Ensure that the gas supply is closed and the gas grill is cooled down properly. Remove the 2 screws at the center of the burner from the grilling shells, using a philips type screwdriver and carefully slide the burner out from the grilling shell, **visual 32**

2. Below information should be taken in account during inspection and cleaning, **visual 33**:

- From repeated use of the grill, the burner openings can become dirty over time. Dirty and blocked ports can restrict the gas flow which can cause dangerous situations.
- Inspect the inside of the burner tube with a flashlight to determine if any obstruction is visible that will restrict the gas flow to the burner openings.

If any obstruction is visible on the inside or outside, clean the area with a steel bristle brush or a steel wire. Ensure that all blocked areas are clean before reinstalling the burner in the grilling shell.

For installing or replacing the burner, place the burner back in the grilling shell. Ensure that the tube is placed properly over the gas orifice and fasten the 2 screws.

Storage

When the appliance is not in use, the cylinder valve must be turned OFF, the appliance and the cylinder together must be stored outdoors in a well ventilated area. However it is permissible to store the appliance (but not the cylinder) indoors. Ensure the appliance is cleaned well, for sure the grates, before storing away. When the gas cylinder is disconnected, replace the plug or cap on the valve outlet if available.

Extended storage

After extended storage it's recommended to clean and check the burner and gas supply, following the instructions below.

Burner(s)

Brush the outside of the burners with a stiff brush, for example a 'hard' tooth brush, to remove stains and dirt. Be careful not to damage the igniter spark points.

Gas supply & connection

1. Inspect the gas hose assembly for any deterioration and replace it if necessary.
2. Test the gas circuit for leaks and remedy any found, also see 'leak detection procedure' in the Gas connections & regulator(s) section of this manual.
3. Check if the seals of the gas hose assembly (between the appliance and the gas container) are in place and in good condition, also before connecting a (new) gas container. These seals are located in the quick-connectors and gas regulator, exact location also be found following the visuals on **page 13**, chapter "**Gas connections & regulator(s)**". If it seems the seals need replacement, contact our Service & After-sales department for further advice and assistance.

7. Service & After-sales

Contact details

nomadiQ Europe Customer Service
+31 (0) 85 877 02 92

E-mail: questions@nomadiqbbq.com

Or fill out the online contact form: www.nomadiqbbq.com

8. Warranty

This is nomadiQ's Warranty provided to you at no extra charge. It contains the information you will need to have your product repaired in the unlikely event of a failure or defect.

Pursuant to applicable laws, the customer has several rights in case the product is defective. Those rights include supplementary performance or replacement, abatement of the purchasing price and compensation. In the European Union, for example, this would be a two-year statutory warranty starting on the date of the handover of the product. These and other statutory rights remain unaffected by this warranty provision. In fact, this warranty grants additional rights to the owner that are independent from statutory warranty provisions.

nomadiQ's Warranty

nomadiQ warrants, to the purchaser of the product (or in the case of a gift or promotional situation, the person for whom it was purchased as a gift or promotional item), that the product is free from defects in material and workmanship for the period(s) of time specified below when assembled and operated in accordance with the accompanying instruction manual.

Under normal, private single family home or apartment use and maintenance, nomadiQ agrees within the framework of this warranty to repair or replace defective parts within the applicable time periods, limitations, and exclusions listed below. **TO THE EXTENT ALLOWABLE BY APPLICABLE LAW, THIS WARRANTY IS EXTENDED ONLY TO THE ORIGINAL PURCHASER AND IS NOT TRANSFERABLE TO SUBSEQUENT OWNERS, EXCEPT IN THE CASE OF GIFTS AND PROMOTIONAL ITEMS AS NOTED ABOVE.**

Owner's responsibilities under this warranty

To ensure trouble-free warranty coverage, it is important that you register your nomadiQ product online at www.nomadiQbbq.com, or such country-specific website to which owner may be redirected. Please also retain your original sales receipt and/or invoice. Registering your product confirms your warranty coverage and provides a direct link between you and nomadiQ in case we need to contact you. The above warranty only applies if the owner takes reasonable care of the product by following all instructions as outlined in the accompanying instruction manual, unless the owner can prove that the defect or failure is independent of non-compliance with the above mentioned obligations. If you live in a coastal area, or have your product located near a pool, maintenance includes regular washing and rinsing of the exterior surfaces.

Warranty handling/ Exclusion of warranty

If you believe that you have a part which is covered by this warranty, please contact nomadiQ's Service & After sales service

nomadiQ will, upon investigation, repair or replace (at its option) a defective part that is covered by this warranty. In the event that repair or replacement are not possible, nomadiQ may choose (at its option) to replace the appliance in question with a new appliance. nomadiQ may ask you to return parts for inspection. This WARRANTY lapses if there are damages, deteriorations, discolourations, and/or rust for which nomadiQ is not responsible caused by:

- Abuse, misuse, alteration, modification, misapplication, neglect, improper assembly or installation, and failure to properly perform normal and routine maintenance;
- Insects (such as spiders) and rodents (such as squirrels), including but not limited to damage to burner tubes and/or gas hoses;
- Exposure to salt air and/or chlorine sources such as swimming pools and hot tubs/spas;
- Severe weather conditions such as hail, hurricanes, earthquakes, tsunamis or surges, tornadoes or severe storms.

The use and/or installation of parts on your product that are not genuine nomadiQ parts will void this warranty, and any damages that result hereby are not covered by this warranty. Any conversion of a appliance not authorised by nomadiQ and performed by a nomadiQ authorised service technician will void this warranty.

PRODUCT WARRANTY PERIODS

Base & Grilling shells:

5 years, no rust through/burn through
(2 years paint excluding fading or discolouration)

Stainless steel burner tubes:

5 years, no rust through/burn through

Aluminium die-cast grates:


5 years, no rust through/burn through

Plastic components:
 5 years, excluding fading or discolouration
 All remaining parts:
 2 years

DISCLAIMERS

APART FROM THE WARRANTY AND DISCLAIMERS AS DESCRIBED IN THIS WARRANTY STATEMENT, THERE ARE EXPLICITLY NO FURTHER WARRANTY OR VOLUNTARY DECLARATIONS OF LIABILITY GIVEN HERE WHICH GO BEYOND THE STATUTORY LIABILITY APPLYING TO NOMADIQ. THE PRESENT WARRANTY STATEMENT ALSO DOES NOT LIMIT OR EXCLUDE SITUATIONS OR CLAIMS WHERE NOMADIQ HAS MANDATORY LIABILITY AS PRESCRIBED BY STATUTE. NO WARRANTIES SHALL APPLY AFTER THE APPLICABLE PERIODS OF THIS WARRANTY. NO OTHER WARRANTIES GIVEN BY ANY PERSON, INCLUDING A DEALER OR RETAILER, WITH RESPECT TO ANY PRODUCT (SUCH AS ANY "EXTENDED WARRANTIES"), SHALL BIND NOMADIQ. THE EXCLUSIVE REMEDY OF THIS WARRANTY IS REPAIR OR REPLACEMENT OF THE PART OR PRODUCT. IN NO EVENT UNDER THIS VOLUNTARY WARRANTY SHALL RECOVERY OF ANY KIND BE GREATER THAN THE AMOUNT OF THE PURCHASE PRICE OF THE NOMADIQ PRODUCT SOLD. YOU ASSUME THE RISK AND LIABILITY FOR LOSS, DAMAGE, OR INJURY TO YOU AND YOUR PROPERTY AND/OR TO OTHERS AND THEIR PROPERTY ARISING OUT OF THE MISUSE OR ABUSE OF THE PRODUCT OR FAILURE TO FOLLOW INSTRUCTIONS PROVIDED BY NOMADIQ IN THE ACCOMPANYING INSTRUCTION MANUAL. PARTS AND ACCESSORIES REPLACED UNDER THIS WARRANTY ARE WARRANTED ONLY FOR THE BALANCE OF THE ABOVE MENTIONED ORIGINAL WARRANTY PERIOD(S). THIS WARRANTY APPLIES TO PRIVATE SINGLE FAMILY HOME OR APARTMENT USE ONLY AND DOES NOT APPLY TO NOMADIQ APPLIANCES USED IN COMMERCIAL, COMMUNAL OR MULTI-UNIT SETTINGS SUCH AS RESTAURANTS, HOTELS, RESORTS, OR RENTAL PROPERTIES. NOMADIQ MAY FROM TIME TO TIME CHANGE THE DESIGN OF ITS PRODUCTS. NOTHING CONTAINED IN THIS WARRANTY SHALL BE CONSTRUED AS OBLIGATING NOMADIQ TO INCORPORATE SUCH DESIGN CHANGES INTO PREVIOUSLY MANUFACTURED PRODUCTS, NOR SHALL SUCH CHANGES BE CONSTRUED AS AN ADMISSION THAT PREVIOUS DESIGNS WERE DEFECTIVE.

9. Technical specifications & Lighting Instructions

Manufacturer: nomadiQ	Countries of Destination/ Country code(s):
Product name: Outdoor gas grill	(EU Countries) BE, BG, CZ, DK, DE, EE, EL, ES, FR, HR, IT, CY, LV, LT, LU, HU, MT, NL, AT, PL, RO, SI, SK, FI, SE, UK
Model number: CQ_B8Q_001	(EFTA Countries) CH, IS, LI, NO
Gas Category: Direct pressure - Butane	This appliance shall be used with direct pressure butane cartridges. (for example: Primus Power Gas, Optimus Gas, MSR Isopro, GoSystem Powersource, Cadac CA445) these cartridges should comply with EN417. It may be hazardous to attempt to fit other types of gas containers.
Outlet pressure of regulator: 29mbar	
Total Heat Input: 3.2kW (233gr/h)	
Nozzle size: 0.64mm	
Country of Origin: Made in PRC Gloucester Road, Wan Chai, HongKong, China	 0359/18 Pin 0359/CT/03307

LIGHTING INSTRUCTIONS - FOR ALL BURNERS

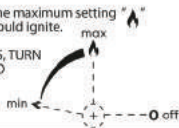
READ THE INSTRUCTIONS CAREFULLY BEFORE LIGHTING.

⚠ WARNING: DO NOT LEAN OVER GRILL WHEN LIGHTING.

1. Install the appliance and screw both hoses of the gas hose assembly to the appliance (refer to manual for correct installation)
2. Turn the control knob on both sides to off. "O" position.
3. Install the gas cannister to the gas regulator connected to the hose assembly
4. Press and turn the control knob counterclockwise to the maximum setting
5. Wait for 5 seconds and press the ignitor, the burner should ignite.

IF IGNITION DOES NOT TAKE PLACE AFTER SEVERAL TRIES, TURN THE CONTROL KNOB TO OFF "O" POSITION AND REFER TO MANUAL FOR TROUBLE SHOOTING.

6. Repeat steps 4 and 5 above for the other burner.



Bedienungsanleitung

nomadiQ tragbarer Gasgrill

Danke!

Vielen Dank, dass Sie sich für nomadiQ entschieden haben, den weltweit ersten echten tragbaren Gasgrill. Wir hoffen, dass Sie die Anweisungen in dieser Bedienungsanleitung nützlich und leicht verständlich finden werden. Es wird nur wenige Minuten Ihrer Zeit in Anspruch nehmen, um zu lernen, wie man das Produkt richtig einsetzt und das Beste daraus macht. Genießen Sie es, (fast) überall zu grillen!

Bewahren Sie diese Anleitung nach dem Lesen an einem sicheren Ort auf, um sie später wieder einsehen zu können.

Mit freundlichen Grüßen,
Team nomadiQ

Inhalt

1. Warnungen & Sicherheitshinweise	Seite 20
2. Geräteaufbau	Seite 21
3. Gasanschlüsse & -regler	Seite 21
4. Gebrauchsanweisung;	Seite 23
4.1 Vorbereitung	
4.2 Betrieb	
4.3 Nach Gebrauch	
5. Problembehandlung	Seite 24
6. Reinigung & Wartung	Seite 25
7. Service & After Sales	Seite 26
8. Garantie	Seite 26
9. Technische Spezifikationen & Zündanleitung	Seite 28

I. Warnungen & Sicherheitshinweise

WARNUNG!

- BETREIBEN SIE DIESES GERÄT NICHT, BEVOR SIE DIE BEDIENUNGSANLEITUNG GELESEN HABEN.
- BETREIBEN SIE DIESES GERÄT NICHT IM HAUS, DAS GERÄT IST NUR FÜR DEN EINSATZ IM FREIEN BESTIMMT.
- STELLEN SIE KEINE ARTIKEL AUF ODER GEGEN DIESES GERÄT.
- LAGERN ODER VERWENDEN SIE KEINE CHEMIKALIEN, BRENNBAREN MATERIALIEN ODER SPRÜHAEROSOLE IN DER NÄHE DIESES GERÄTS
- LESEN SIE DIESE BEDIENUNGSANLEITUNG SORGFÄLTIG DURCH, UM SICH MIT DEM GERÄT VERTRAUT ZU MACHEN, BEVOR SIE ES AN EINE GASKARTUSCHE ANSCHLIEßEN.

ACHTUNG!

WENN SIE GAS RIECHEN;

- GAS ZUM GERÄT ABSPERREN.
- ALLE OFFENEN FLAMMEN LÖSCHEN.
- HALTEN SIE SICH BEI ANHALTENDEM GERUCH VON DEN GERÄTEN FERN UND RUFEN SIE SOFORT IHREN GASLIEFERANTEN ODER IHRE FEUERWEHR.

Austretendes Gas kann zu einem Brand oder einer Explosion führen, die zu schweren Verletzungen oder zum Tod oder zu Sachschäden führen kann.

WARNUNG!

BEFOLGEN SIE ALLE LECKKONTROLLVERFAHREN IN DIESER BEDIENUNGSANLEITUNG SORGFÄLTIG, BEVOR SIE DEN GRILLVORGANG DURCHFÜHREN. TUN SIE DIES AUCH DANN, WENN DIE GASVERSORGUNG VOM HÄNDLER MONTIERT WURDE.

Allgemeine Warnungen und Sicherheitshinweise;

1. Befolgen Sie bei der Verwendung des Gerätes alle Warn- und Sicherheitshinweise.
2. Bewahren Sie diese Bedienungsanleitung für spätere Nachschlagezwecke auf.
3. Verwenden Sie diesen Grill nicht, wenn nicht alle Teile an ihrem Platz sind. Das Produkt muss ordnungsgemäß montiert sein, bitte befolgen Sie die Anweisungen sorgfältig.
4. Achten Sie sich bei der Montage des Produkts auf eine stabile (horizontale) und ebene Oberfläche, die groß und stark genug ist, um das Produkt zu tragen und Temperaturen von 60°C über der Umgebungstemperatur standhält.
5. Stellen Sie sicher, dass das Produkt einen ausreichenden Abstand zu brennbaren Materialien aufweist. Alle brennbaren Materialien müssen mehr als 250 mm von den Seiten und der Rückseite des Produkts und mehr als 1500 mm über der Kochfläche des Grills aufbewahrt werden.
6. Lehnen Sie sich beim Zünden des Geräts oder beim Kochen niemals über das Produkt.
7. Dieses Gerät darf niemals von Kindern benutzt werden. Zugängliche Teile des Grills können sehr heiß sein. Halten Sie kleine Kinder, ältere Menschen und Haustiere während der Anwendung des Produkts in sicherer Entfernung.
8. Vorsicht bei der Verwendung des Gerätes. Es ist während und nach dem Gebrauch heiß und sollte niemals unbeaufsichtigt bleiben oder während des Betriebs bewegt werden.
9. Sollte der Brenner während des Betriebs des Produkts ausfallen, schalten Sie das Produkt durch Schließen des Gasventils aus. Warten Sie einige Minuten, bevor Sie versuchen, das Gerät wieder anzuzünden, indem Sie die Anweisungen in dieser Anleitung befolgen.
10. Setzen Sie keine Grillabdeckung oder andere brennbare Gegenstände auf den Grill, während das Gerät in Betrieb ist oder (noch) heiß ist.
11. Personen mit brennbarer Kleidung wie Nylon sollten sich während des Betriebs vom Grill fernhalten.
12. Sollte es zu einem unkontrollierten Aufflammen kommen, entfernen Sie die Lebensmittel von den Flammen, bis das Aufflammen nachlässt.
13. Sollte es zu einem Fettbrand kommen, schalten Sie den Brenner/Gerät aus, bis das Feuer erloschen ist.
14. Dieser Gasgrill ist nicht für den gewerblichen Gebrauch bestimmt.
15. Beim Entfernen der Tropfschalen und/oder Einwegschalen ist besondere Vorsicht geboten. Die falsche Handhabung von heißem Öl und Fett kann zu schweren Verletzungen führen.
16. Das Gerät sollte regelmäßig gründlich gereinigt werden.
17. Verwenden Sie bei der Bedienung des Grills hitzebeständige Grillgeräte und/oder Handschuhe.
18. Halten Sie das elektrische Netzkabel und den Kraftstoffschlauch von erwärmten Oberflächen fern.
19. Versuchen Sie nicht, den Gasregler, die Kartusche/den Kanister oder eine Gasarmatur zu trennen, während Ihr Grill in Betrieb ist.
20. Verwenden Sie den Regler, der dem Gerät beiliegt.
21. Verwenden Sie beim Gebrauch des Produkts nur Originalzubehör oder andere Originalteile.
22. Betreiben Sie das Gasgrill nicht, wenn ein Gasleck vorliegt.
23. Verwenden Sie keine Flamme, um auf Gaslecks zu prüfen.

24. Verwenden Sie nur Butan-(Einweg-)Kartuschen/Flaschen. Vorzugsweise Kartusche mit einem EN417-Ventil, wie in dieser Anleitung dargestellt.
25. Butangas ist kein Erdgas. Die Umwandlung oder der versuchte Einsatz von Erdgas in einem Butangasgerät ist gefährlich und führt zum Erlöschen Ihrer Garantie.
26. Lagern Sie keine zusätzliche (Ersatz-) oder abgeklebte Gasversorgungskassette/Flasche unter oder in der Nähe des Grills.
27. Obwohl Ihre Gasversorgungspatrone bzw. -flasche leer zu sein scheint, kann noch Gas vorhanden sein, und die Patrone bzw. Flasche sollte entsprechend transportiert und gelagert werden.
28. Vergewissern Sie sich, dass Sie sich beim Wechseln oder Anschließen der Kartusche oder des Zylinders im Freien und fernab von jeglicher Zündquelle befinden.
29. Nach längerer Lagerung und/oder Nichtbenutzung sollte der Gasgrill vor Gebrauch auf Gaslecks und Brennerverstopfungen überprüft werden. Siehe Anweisungen in dieser Bedienungsanleitung für korrekte Verfahren.
30. Eine verbeulte oder rostige Gasversorgungspatrone bzw. -flasche kann gefährlich sein und sollte von Ihrem Gaslieferanten überprüft werden. Verwenden Sie keine Gasversorgungskartuschen/Flaschen mit einem beschädigten Ventil.
31. Verwenden oder lagern Sie dieses Gerät nicht in Bereichen mit hohem Salzgehalt (Nähe zum Meer) oder in Bereichen mit ätzenden Dämpfen oder Flüssigkeiten (z.B. einem Schwimmbaden), da diese Chemikalien dazu führen können, dass die Gerätematerialien beschädigt werden (und die Garantie erlischt).
32. Führen Sie Wartungsarbeiten am Gasversorger des Grills nicht selbst durch - dies darf nur von autorisierten Technikern durchgeführt werden.
33. Verwenden Sie in diesem Gerät keine Holzkohle, Briketts oder Lavastein.
34. Stellen Sie den Grill nicht auf Glas oder eine brennbare Oberfläche.
35. Der Gebrauch von Alkohol, verschreibungspflichtigen Medikamenten, nicht verschreibungspflichtigen Medikamenten oder illegalen Drogen kann die Fähigkeit des Verbrauchers beeinträchtigen, das Gerät ordnungsgemäß und sicher zu montieren, zu bewegen, zu lagern oder zu bedienen.
36. Dieses Gerät ist nicht für den Einsatz als Heizgerät bestimmt und sollte niemals als solches verwendet werden.
37. Vergrößern Sie beim Reinigen des Ventils oder des Brenners nicht die Ventilöffnung oder die Brenneröffnungen.
38. Bauen Sie dieses Gerät nicht in einer Einbau- oder Einschubkonstruktion ein. Die Nichtbeachtung dieser Warnung kann zu einem Brand oder einer Explosion führen, die zu Sachschäden und schweren Verletzungen oder zum Tod führen kann.

2. Geräteaufbau

Montagezeichnung(en) & Stückliste, **Abbildungen 1 & 2 auf Seite 3.**

1.	Gurt	11.	Sockel
2.	Gurtclip (2x)	12.	Zünder
3.	Rost (2x)	13.	Verschlusslippen für Rost (2x)
4.	Montagehaken für Rost (4x)	14.	Zündstellen (2x)
5.	Griffe (2x)	15.	Brenner (2x)
6.	Grillschale (2x)	16.	Schnellanschluss männlich(2x)
7.	Regler (2x)	17.	Schnellanschluss weiblich (2x)
8.	Tropfschale (2x)	18.	Gasschlauch
9.	Standfuß	19.	Gasregulierung
10.	Sperrhebel (2x)		

Abbildungen 3 - 27 für den Betrieb sind auf den Seiten 4 - 9 zu finden. Die entsprechende Anleitung finden Sie im Abschnitt "Gebrauchsanweisung".

3. Gasanschlüsse & -regler

Einweggaskartusche verbinden

Das Produkt ist standardmäßig für Einweg-Kartuschen ausgelegt, welche dem EN417 Standard entsprechen und die in der folgenden Abbildung dargestellte Schraubverbindung haben. Die Kartusche muss Butangas enthalten. Dies sind gängige Gaskartuschen, die bei fast jedem Outdoor-Händler weltweit zu finden sind.

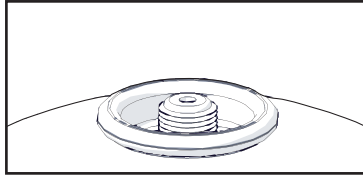


Abb. EN417 (Lindal-Ventil)

Beim Anschluss oder Austausch der Gaskartusche;

Überprüfen Sie, ob die Brenner ausgeschaltet sind und sich beide Regler in der Position "O" befinden, bevor Sie die Gaskartusche trennen, **Abb. A**

- Entnehmen Sie die leere Kartusche vorsichtig aus dem Gasregler, indem Sie sie im Uhrzeigersinn abschrauben, **Abb. A**.

- Überprüfen Sie, ob die Dichtung im Gasregler sitzt und in gutem Zustand ist, **Abb. B**

- Überprüfen Sie, ob die Dichtungen der Schnellanschlüsse angebracht und in gutem Zustand sind, **Abb. C**.

- Montieren Sie eine neue Kartusche am Gasregler, indem Sie sie gegen den Uhrzeigersinn anschrauben, **Abb. D**. Tun Sie dies immer im Freien und fernab von Personen.

- Achten Sie darauf, dass kein Gas austritt, siehe "Verfahren zur Lecksuche".

- Wenn alles luftdicht und gut angeschlossen erscheint, können Sie das Gerät wiederverwenden.

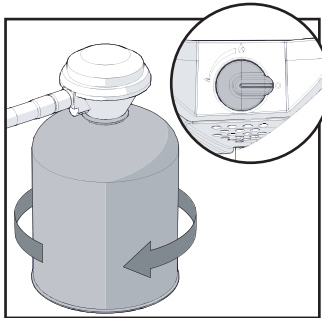


Abb. A.

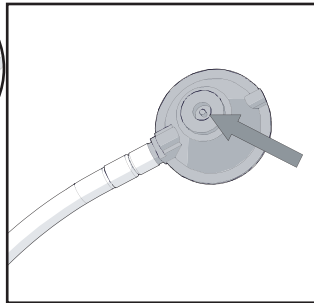


Abb. B.

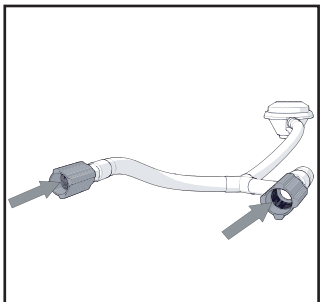


Abb. C.

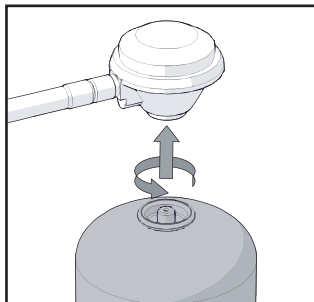


Abb. D.

Vor Gebrauch sicherstellen, dass Ventil und Verschraubung nicht beschädigt sind!

Überprüfen Sie auch, ob die Dichtungen (zwischen Gerät und Gasbehälter) an ihrem Platz und in gutem Zustand sind, bevor Sie sie an den Gasbehälter anschließen.

NomadiQ empfiehlt, den mitgelieferten Gasschlauch mit Einweg-Gaspatronen wie oben gezeigt zu verwenden. Wenn Sie den Anschluss alternativer Gasversorgungen in Betracht ziehen, wenden Sie sich an unseren Service & After Sales, um weitere Informationen zu erhalten.

Zusätzliche Anweisungen und Tipps zur Gasversorgung und zum Gasanschluss.

- Trennen Sie die Kartusche, wenn sie leer ist.
- Trennen Sie die Kartusche, wenn der Grill in einer Garage oder einem anderen geschlossenen Bereich

- gelagert wird.
- Trennen Sie die Kartusche, wenn der Grill transportiert wird.
- Vermeiden Sie es, den Schlauch zu knicken.
- Stellen Sie sicher, dass die Gaszufuhr auf einer stabilen Oberfläche liegt und verhindern Sie, dass der flexible Schlauch verdreht wird.
- Vom Hersteller versiegelte Teile dürfen vom Anwender nicht verändert werden.
- Jede Modifikation des Gerätes kann gefährlich sein.
- Gasversorgungen, insbesondere Kartuschen, können sich während des Gebrauchs abkühlen und sogar Vereisungen an der Außenseite der Versorgung aufweisen. Dieses Phänomen ist weit verbreitet, kann aber auch die spätere Grillleistung beeinflussen. Die Platzierung der Gasversorgung in einer Wasser-schicht, wobei der obere Teil der Versorgung ausreichend über dem Wasserspiegel liegt, kann diese Situation verhindern.

Lecksuchverfahren

Vergewissern Sie sich, dass die Regler am Gerät auf "O" stehen und öffnen Sie ggf. das Ventil der Gasversorgung/des Reglers. Überprüfen Sie die undichten Fugen durch Bürsten mit einer 1:1 Lösung aus Reinigungsmittel und Wasser. Wenn ein Leck vorliegt, entstehen Blasen (oder Sie hören ein zischendes Geräusch). Das Nachziehen von Verbindungen kann in der Regel eine undichte Verbindung reparieren. Sie müssen auch den Gasschlauch und den Anschluss an der Gasflasche überprüfen. Arbeiten Sie nicht weiter, wenn ein Leck nicht behoben werden kann. Kontaktieren Sie unseren Service & After Sales für weitere Informationen.

WARNUNG!

VERWENDEN SIE KEINE OFFENE FLAMME, UM GASLECKS ZU LOKALISIEREN. BEI ANHALTENDER UNDICHTER STELLE EINEN AUTORISIERTEN GASINSTALLATEUR KONTAKTIEREN.

VOR JEDEM GEBRAUCH DEN GASSCHLAUCH AUF CRACKS, NUTEN, NICKS ODER ABRASIONEN PRÜFEN. WENN DER SCHLAUCH IN IRGEND EINER WEISE BESCHÄDIGT IST, VERWENDEN SIE IHN NICHT. ERSETZEN SIE DEN GASSCHLAUCH NUR MIT EINEM NOMADIQ-ERSATZSCHLAUCH.

4. Gebrauchsanweisung

Bitte befolgen Sie die folgenden Anweisungen in Kombination mit den auf den Seiten 4 bis 9 dargestellten Abbildungen sorgfältig.

4.1 Vorbereitung

1. Entfernen Sie den Gurt, **Abb. 3**
2. Entfernen Sie die Schutzhülle. (Dieser Schritt ist optional, da er davon abhängt, ob das Gerät zusätzlich mit diesem Zubehör geliefert wurde.)
3. Öffnen Sie den ersten Verriegelungsmechanismus, indem Sie den Fuß unter dem Sockel öffnen, **Abb. 4**
4. Öffnen Sie beide Verriegelungsknöpfe auf jeder Seite des Produkts, **Abb. 5**.
5. Die Grillschalen werden gelöst und können herausgezogen und geöffnet werden, **Abb. 6 & 7**
6. Schließen Sie die Verriegelungsknöpfe auf beiden Seiten des Grills, **Abb. 8**.
7. Montieren Sie die Tropfschalen im Fuß des Gerätes, **Abb. 9**
8. Montieren Sie die Schnellanschlüsse des Gasschlauches an jeder Grillschale, **Abb. 10 & 11**
9. Schließen Sie die Gasversorgung an den Gasregler an, stellen Sie sicher, dass die Regler am Produkt auf "O" eingestellt sind, **Abb. 12**

Für weitere Anweisungen zum Gas-(Versorgungs-)Anschluss finden Sie im Abschnitt "Gasanschluss" dieser Anleitung.

4.2 Betrieb

I. Öffnen Sie das Ventil, indem Sie den Regler auf die höchste Einstellung einstellen, warten Sie einige Sekunden und drücken Sie den Zünder auf der Seite der Basis des Produkts, **Abb. 13 & 14**. Dieser Schritt kann für jede Grillschale individuell angewendet und gesteuert werden.

II. Steuerung der Brennerflamme und -temperatur durch Verstellen des Reglers, **Abb. 15**

Weitere Informationen finden Sie auch in den "Zündanleitung" auf Seite 28 dieses Handbuchs.

Tipps & Tricks während des Betriebs

- Ein dünner Ölfilm hilft Ihnen, Ihr Essen gleichmäßig zu braten und leichter vom Rost zu lösen. Tragen Sie das Öl stets auf die Zutaten, nicht den Rost auf.
- Regulieren Sie die Einstellung des Grills für korrekte Temperaturen.
- Tragen Sie Saucen oder Marinaden mit hohem Zuckergehalt erst gegen Ende des Grillvorgangs auf, da diese leicht verbrennen.
- Entfernen Sie überschüssiges Fett vom Fleisch. Weniger Fett vereinfacht die Reinigung und vermeidet Aufflammen.
- Stellen Sie vor Gebrauch stets sicher, dass die Schalen sauber sind.

Besuchen Sie für weitere Tipps & Tricks www.nomadiqbbq.com

4.3 Nach Gebrauch

12. Schalten Sie das Gerät aus, indem Sie das Ventil schließen und die Regler auf die Position "O" drehen,

Abb. 16

13. Lassen Sie das Gerät 10 - 15 Minuten abkühlen!

14. Demontieren Sie die Gaszufuhr und entfernen Sie die Gasversorgung, **Abb. 17**

15. Entfernen und reinigen Sie die Tropfschalen.

16. Entfernen Sie die Roste und reinigen Sie die Innenseite der Schalen und Roste mit einem weichen Reinigungstuch/einer Einwegserviette, **Abb. 18 & 19**

17. Montieren Sie die Roste, stellen Sie sicher, dass diese korrekt über den beiden Haken positioniert und verriegelt sind, indem Sie die Roste unter den Lippen (in der Nähe des Scharniers) durchschieben, **Abb. 20**

18. Öffnen Sie die Sperrhebel auf jeder Seite des Gerätes, **Abb. 21**

19. Schließen Sie die Schalen, indem Sie diese wieder in den Sockel des Geräts schieben, **Abb. 22 & 23**

20. Schließen Sie die Sperrhebel auf jeder Seite des Gerätes, **Abb. 24**

21. Schließen Sie den Fuß, indem Sie ihn unter den Sockel des Geräts zurückdrehen, **Abb. 25**

22. Montage des Gurts, **Abb. 26**

Montieren Sie optional die Schutzhülle vor Schritt 22.

...und Sie sind wieder startklar!

5. Fehlerbehebung

BRENNER ZÜNDET SICH NICHT, WENN DER ZÜNDER VERWENDET WIRD

- Ventil ist nicht an/offen -> Ventil einschalten/öffnen

- Gasschlauchmontage und/oder Gasversorgung ist nicht korrekt installiert -> Gasversorgung, Gasschlauch und Schnellanschlüsse wieder montieren.

- Gaskartusche/Flasche (fast) leer -> mit neuer Gasversorgung ersetzen.

- Zünder zündet nicht -> Roste entfernen und Zündstellen vorsichtig mit einer Zahnbürste reinigen.

- Zünder zündet nicht -> Öffnen Sie die seitlichen Verriegelungen und schieben Sie beide Grillschalen zur Seite. Überprüfen Sie visuell, ob die Kabel zum Zündpunkt oder vom Gehäuse unterbrochen oder abgetrennt sind.

- Einspritzung ist blockiert -> Kontaktieren Sie den Service & After Sales für weitere Informationen.

FLAMME IST UNREGELMÄßIG

Brenner blockiert -> Roste entfernen und Brenneröffnungen vorsichtig mit einer Zahnbürste reinigen.

Flamme brennt im Brenner (zischendes Geräusch) -> Brenner/Gerät ausschalten, einige Minuten abkühlen lassen und wieder entzünden.

Einspritzung teilweise blockiert -> Kontaktieren Sie den Service & After Sales für weitere Informationen.

GAS LECKT AUS VERBINDUNGEN

Verbindungen locker -> Ziehen Sie lose Verbindungen an (sowohl Schnellanschlüsse als auch Regler-/Gasversorgung).

Lesen Sie für weitere Informationen auch den Abschnitt "Gasanschlüsse & Regler" in diesem Handbuch oder wenden Sie sich an Services & After Sales.

6. Reinigung & Wartung

Reinigung der Außenseite

Vergewissern Sie sich vor der Reinigung der Geräteaußenseite, dass das Gerät abgekühlt ist und berührungssicher ist. Lackierte und Kunststoffoberflächen können mit einem milden Haushaltsreiniger und einem trockenen Reinigungstuch gereinigt werden (keine Scheuermittel oder scharfen Reinigungsmittel verwenden). Es ist ratsam, zuerst Reinigungsmittel an einem kleinen Teil des Gerätes zu testen. Verwenden Sie NIEMALS Farbverdünner oder ähnliche Lösungsmittel zur Reinigung und gießen Sie NIEMALS kaltes Wasser über heiße Oberflächen. Stellen Sie sicher, dass alle Oberflächen sorgfältig getrocknet sind, bevor Sie das Produkt abdecken und lagern.

Reinigung der Innenseite

Vergewissern Sie sich vor der Reinigung der Innenseite, dass das Gerät vollständig abgekühlt ist und berührungssicher ist. Die Innenseite kann mit etwas Wasser, Feinwaschmittel und einem weichen Schwamm oder Reinigungstuch gereinigt werden. Die antihafbeschichteten Oberflächen (innerhalb der Grillschalen) sollten sorgfältig mit einem leicht nassen Reinigungstuch gereinigt werden. Für schwer zu reinigende Stellen verwenden Sie etwas Natron auf einem nassen Schwamm und/oder einer weichen Bürste. Die Roste mit Antihafbeschichtung können herausgenommen und unter dem Wasserhahn mit Wasser und milden Reinigungsmitteln gereinigt werden. Alle Teile und Oberflächen müssen anschließend mit einem trockenen, weichen Reinigungstuch getrocknet werden.

WARNUNG!

Zündstellen in der Grillschale in der Nähe des Brenners sind scharf, achten Sie bei der Reinigung darauf, dass Sie sich vor Verletzungen schützen.

Hinweis: Antihafbeschichtete Oberflächen, wie die Roste, verfärben sich, wenn Lebensmittel in die Oberfläche(n) eingegraben werden. Verwenden Sie auf diesen Oberflächen keine scheuernden Reinigungsmittel oder scharfen und/oder harten Geräte wie Metallkochwerkzeuge oder Bürsten, da diese die Beschichtungen beschädigen können!

Gründliche Reinigung & jährliche Wartung

Für eine gründliche Reinigung können die Grillschalen entfernt werden, um den inneren Teil des Bodens gelegentlich zu reinigen. Bitte befolgen Sie die folgenden Anweisungen in Kombination mit den auf **Seite 9** gezeigten Abbildungen sorgfältig.

1. Lösen Sie die Grillschalen wie im Abschnitt "Gebrauchsanweisung", Schritt 1 - 4 beschrieben. Ziehen Sie beide Grillschalen heraus und drehen Sie beide Grillschalen am Endpunkt vorsichtig zur Seite, **Abb. 28**
2. Vorsichtig den Sockel an- und abstecken, **Abb. 29**
3. Bringen Sie beide Grillschalen in die vertikale Position zurück und schieben Sie die Grillschalen auf halbem Weg zum Sockel. Kippen Sie die Grillschalen zur Seite, so dass die Führungsstifte vom Boden gelöst werden, **Abb. 30**
4. Lassen Sie die Grillschalen los, die noch in vertikaler Bewegung aus dem Sockel gekippt sind. Die Innenfläche des Sockels sowie die Außenfläche der Grillschalen sind nun zur Reinigung zugänglich, **Abb. 31**
5. Nach der Reinigung können die Grillschalen wieder in den Sockel eingesetzt werden, indem man die obigen Schritte umgekehrt durchführt. Stellen Sie sicher, dass die beiden Führungsstifte der Grillschalen korrekt in die dafür vorgesehenen Führungsschlitze im Sockel eingesetzt sind, bevor Sie die Schalen in den Sockel schieben, um Schäden zu vermeiden.

Reinigung & Wartung des Brenners

Es wird dringend empfohlen, das Brennerrohr mindestens einmal im Jahr zu überprüfen und zu reinigen, damit Ihr Gasgrill sicher und effizient funktioniert. Um den/die Brenner für eine gründliche Reinigung und Inspektion zu entfernen, befolgen Sie bitte sorgfältig die folgenden Anweisungen in Kombination mit den auf **Seite 9** gezeigten Abbildungen.

Befolgen Sie zudem diese Schritte, wenn ein unregelmäßiges Flammenbild auftritt:

1. Stellen Sie sicher, dass die Gaszufuhr geschlossen ist und das Gasgrill richtig gekühlt ist. Entfernen Sie die 2 Schrauben in der Mitte des Brenners mit einem Kreuzschlitzschraubenzieher aus den Grillschalen und schieben Sie den Brenner vorsichtig aus der Grillschale heraus, **Abb. 32**.
2. Die folgenden Informationen sollten bei der Inspektion und Reinigung berücksichtigt werden, **Abb. 33**:
 - Durch die wiederholte Verwendung des Grills können die Brenneröffnungen mit der Zeit verschmutzt werden. Verschmutzte und blockierte Anschlüsse können den Gasfluss einschränken, was zu gefährlichen Situationen führen kann.
 - Inspizieren Sie das Innere des Brennerrohrs mit einer Taschenlampe, um festzustellen, ob eine Verstopfung sichtbar ist, die den Gasstrom zu den Brenneröffnungen einschränkt.

3. Wenn innen oder außen Verstopfungen sichtbar sind, reinigen Sie den Bereich mit einer Stahlbürste oder einem Stahldraht. Stellen Sie sicher, dass alle blockierten Bereiche sauber sind, bevor Sie den Brenner wieder in die Grillschale einsetzen.

4. Für die Montage oder den Austausch des Brenners legen Sie den Brenner wieder in die Grillschale. Vergewissern Sie sich, dass das Rohr richtig über der Gasleitung platziert ist und befestigen Sie die beiden Schrauben.

Lagerung

Wenn das Gerät nicht in Gebrauch ist, muss das Flaschenventil ausgeschaltet werden, das Gerät und die Flasche zusammen müssen im Freien in einem gut belüfteten Bereich gelagert werden. Es ist jedoch zulässig, das Gerät (aber nicht die Flasche) in Innenräumen zu lagern. Vergewissern Sie sich, dass das Gerät gut gereinigt ist, besonders die Roste, bevor Sie es lagern. Setzen Sie, falls vorhanden, den Stopfen oder die Kappe am Ventilausgang an, wenn die Gasflasche abgeklemmt ist.

Längere Lagerung

Nach längerer Lagerung wird empfohlen, den Brenner und die Gasversorgung zu reinigen und zu überprüfen, indem man die folgenden Anweisungen befolgt:

Brenner:

Bürsten Sie die Außenseite der Brenner mit einer steifen Bürste, z.B. einer "harten" Zahnbürste, um Flecken und Schmutz zu entfernen. Achten Sie darauf, dass die Zündstellen nicht beschädigt werden.

Gasversorgung:

1. Überprüfen Sie die Gasleitung auf Schäden und ersetzen Sie sie bei Bedarf.

2. Prüfen Sie den Gaskreislauf auf Dichtheit und beheben Sie eventuell gefundene Lecks, siehe auch "Lecksuchverfahren" im Abschnitt "Gasanschlüsse & -regler" in diesem Handbuch.

3. Überprüfen Sie, ob die Dichtungen der Gasschlauchleitung (zwischen Gerät und Gasbehälter) an ihrem Platz und in gutem Zustand sind, auch bevor Sie einen (neuen) Gasbehälter anschließen. Diese Dichtungen befinden sich in den Schnellanschlüssen und dem Gasregler, die genaue Position finden Sie auch in der Abbildung auf Seite 22, Kapitel "Gasanschlüsse & Regler". Wenn es den Anschein hat, dass die Dichtungen ausgetauscht werden müssen, wenden Sie sich an unsere Abteilung Service & After Sales, um weitere Ratschläge und Unterstützung zu erhalten.

7. Service & After-sales

Kontakt

nomadiQ Europe Kundendienst
+31 (0) 85 877 02 92

E-mail: questions@nomadiqbbq.com

Oder nutzen Sie unser Onlineformular: www.nomadiqbbq.com

8. Garantie

Dies ist die Garantie von nomadiQ, die Ihnen ohne Aufpreis zur Verfügung gestellt wird. Es enthält die Informationen, die Sie benötigen, um Ihr Produkt im unwahrscheinlichen Fall eines Ausfalls oder Defekts reparieren zu lassen.

Gemäß den geltenden Gesetzen hat der Kunde mehrere Rechte, falls das Produkt fehlerhaft ist. Diese Rechte betreffen Nacherfüllung oder Ersatzlieferung, Minderung des Kaufpreises und Schadensersatz. In der Europäischen Union wäre dies beispielsweise eine zweijährige gesetzliche Garantie ab dem Datum der Übergabe des Produkts. Diese und andere gesetzliche Rechte bleiben von dieser Gewährleistungsregelung unberührt. Tatsächlich gewährt diese Garantie dem Eigentümer zusätzliche Rechte, die unabhängig von den gesetzlichen Gewährleistungsbestimmungen sind.

Garantie von nomadiQ

nomadiQ garantiert dem Käufer des Produkts (oder im Falle einer Geschenk- oder Promotionssituation der Person, für die es als Geschenk oder Werbeartikel gekauft wurde), dass das Produkt für die unten angegebenen Zeiträume frei von Material- und Verarbeitungsfehlern ist, wenn es gemäß der beiliegenden Bedienungsanleitung montiert und betrieben wird.

Im Rahmen der normalen, privaten Nutzung und Wartung in Einfamilienhäusern oder -wohnungen verp-

flieht sich nomadiQ im Rahmen dieser Garantie, defekte Teile innerhalb der unten aufgeführten Fristen, Verpflichtungen und Ausschlüsse zu reparieren oder zu ersetzen. SOWEIT NACH GELTENDEM RECHT ZULÄSSIG, WIRD DIESE GARANTIE NUR AUF DEN ERSTKÄUFER AUSGEDEHNT UND IST NICHT AUF NACHFOLGENDE EIGENTÜMER ÜBERTRAGBAR, AUßER BEI GESCHENKEN UND WERBEARTIKELN, WIE VORSTEHEND ERWÄHNT.

Verantwortlichkeiten des Eigentümers im Rahmen dieser Garantie

Um eine reibungslose Garantieleistung zu gewährleisten, ist es wichtig, dass Sie Ihr nomadiQ-Produkt online unter www.nomadiQbbq.com oder einer solchen länderspezifischen Website registrieren, auf die der Besitzer weitergeleitet werden kann. Bitte bewahren Sie auch Ihren ursprünglichen Kaufbeleg und/oder Ihre Rechnung auf. Die Registrierung Ihres Produkts bestätigt Ihre Garantieleistung und stellt eine direkte Verbindung zwischen Ihnen und nomadiQ her, falls wir Sie kontaktieren müssen. Die vorstehende Garantie gilt nur, wenn der Eigentümer das Produkt durch Befolgen aller Anweisungen in der beiliegenden Bedienungsanleitung angemessen pflegt, es sei denn, der Eigentümer kann nachweisen, dass der Mangel oder das Versagen unabhängig von der Nichteinhaltung der vorgenannten Verpflichtungen ist. Wenn Sie in einem Küstengebiet leben oder Ihr Produkt in der Nähe eines Pools aufgestellt ist, umfasst die Wartung die regelmäßige Reinigung und Spülung der Außenflächen.

Gewährleistungsabwicklung/Gewährleistungsausschluss

Wenn Sie der Meinung sind, dass Sie ein Teil haben, das unter diese Garantie fällt, wenden Sie sich bitte an nomadiQs Service & After-Sales.

nomadiQ wird nach Prüfung defekte Teile, die unter diese Garantie fallen, (nach eigenem Ermessen) reparieren oder austauschen. Für den Fall, dass eine Reparatur oder ein Austausch nicht möglich ist, kann nomadiQ nach eigenem Ermessen das betreffende Gerät durch ein neues Gerät ersetzen. nomadiQ kann Sie bitten, Teile zur Inspektion zurückzusenden. Diese GARANTIE erlischt, wenn Schäden, Beeinträchtigungen, Verfärbungen und/oder Rost vorliegen, für die nomadiQ nicht verantwortlich ist, verursacht durch:

- Missbrauch, Änderung, Modifikation, Fehlanwendung, Vandalismus, Vernachlässigung, unsachgemäße Montage und nicht ordnungsgemäße Durchführung normaler und routinemäßiger Wartungsarbeiten;
- Insekten (wie Spinnen) und Nagetiere (wie Eichhörnchen), einschließlich, aber nicht beschränkt auf Schäden an Brennerrohren und/oder Gasschläuchen;
- Einwirkung von Salzluf- und/oder Chlorquellen, wie Schwimmbädern und Whirlpools/Spas;
- Schwere Wetterbedingungen wie Hagel, Hurrikane, Erdbeben, Tsunamis oder Sturmfluten, Tornados oder schwere Stürme.

Die Verwendung und/oder Montage von Teilen an Ihrem Produkt, die keine Originalteile von nomadiQ sind, führt zum Erlöschen dieser Garantie, und alle Schäden, die sich daraus ergeben, fallen nicht unter diese Garantie. Jeglicher unautorisierter Umbau eines nomadiQ Gerätes durch einen von nomadiQ autorisierten Servicetechniker führt zum Erlöschen dieser Garantie.

PRODUKTGARANTIEZEITEN

Sockel & Grillschalen:

5 Jahre, ohne Durchrosten/Durchbrennen
(2 Jahre Lackierung ohne Verblässen oder Verfärbung)

Edelstahl-Brennerrohre:

5 Jahre, ohne Durchrosten/Durchbrennen

Aluminium-Druckgussroste:

5 Jahre, ohne Durchrosten/Durchbrennen

Kunststoffteile:

5 Jahre, ohne Verblässen oder Verfärbung

Alle übrigen Teile:

2 Jahre

DISCLAIMERS

NEBEN DER IN DIESER GARANTIEERKLÄRUNG BESCHRIEBENEN GEWÄHRLEISTUNG UND DEM HAFTUNGS- SAUSSCHLUSS GIBT ES HIER AUSDRÜCKLICH KEINE WEITEREN GEWÄHRLEISTUNGS- ODER FREIWILLIGEN HAFTUNGSERKLÄRUNGEN, DIE ÜBER DIE FÜR NOMADIQ GELTENDE GESETZLICHE HAFTUNG HINAUSGEHEN. DIE VORLIEGENDE GARANTIEERKLÄRUNG BESCHRÄNKT ODER SCHLIEßT AUCH KEINE SITUATIONEN ODER ANSPRÜCHE AUS, IN DENEN NOMADIQ GESETZLICH ZWINGEND HAFTET. NACH DEN ANWENDBAREN ZEITRÄUMEN DIESER GARANTIE GELTEN KEINE GARANTIEEN. KEINE WEITEREN GARANTIEEN, DIE VON EINER PERSON, EINSCHLIEßLICH EINES HÄNDLERS ODER EINZELHÄNDLERS, IN BEZUG AUF EIN PRODUKT ABGEGEBEN WERDEN (WIE Z.B. "ERWEITERTE GARANTIEEN"), BINDEN NOMADIQ. DAS EINZIGE RECHTSMITTEL DIESER GARANTIE IST DIE REPARATUR ODER DER ERSATZ DES TEILS ODER PRODUKTES. UNTER KEINEN UMSTÄNDEN IM RAHMEN DIESER FREIWILLIGEN GARANTIE DARF DIE RÜCKFORDERUNG JEGLICHER ART DEN BETRAG DES KAUFPREISES DES VERKAUFTEN NOMADIQ-PRODUKTS ÜBERSTEIGEN. SIE ÜBERNEHMEN DAS RISIKO UND DIE HAFTUNG FÜR VERLUSTE, SCHÄDEN ODER VERLETZUNGEN AN IHNEN UND IHREM EIGENTUM UND/ODER AN ANDEREN UND IHREM EIGENTUM, DIE SICH AUS DER VERWENDUNG ODER DEM MISSBRAUCH DES PRODUKTS ODER DER MISSACHTUNG DER VON NOMADIQ IN DER BEILIEGENDEN BEDIENUNGSANLEITUNG GEGEBENEN ANWEISUNGEN ERGEBEN. TEILE UND ZUBEHÖR, DIE IM

RAHMEN DIESER GARANTIE ERSETZT WERDEN, SIND NUR FÜR DEN REST DER OBEN GENANNTEN URSPRÜNGLICHEN GARANTIEZEIT(EN) GARANTIIERT. DIESE GARANTIE GILT NUR FÜR DIE PRIVATE NUTZUNG IN EINFAMILIENHÄUSERN ODER -WOHNUNGEN UND NICHT FÜR NOMADIQ-GERÄTE, DIE IN GEWERBLICHEN, KOMMUNALEN ODER MEHRFAMILIENHÄUSERN WIE RESTAURANTS, HOTELS, RESORTS ODER MIETIMMOBILIEN VERWENDET WERDEN. NOMADIQ KANN VON ZEIT ZU ZEIT DAS DESIGN SEINER PRODUKTE ÄNDERN. NICHTS IN DIESER GARANTIE IST SO AUSZULEGEN, DASS NOMADIQ VERPFLICHTET IST, SOLCHE KONSTRUKTIVEN ÄNDERUNGEN IN BEREITS HERGESTELLTE PRODUKTE EINZUBAUEN, NOCH SIND DIESE ÄNDERUNGEN ALS EIN ZUGESTÄNDNIS ZU VERSTEHEN, DASS FRÜHERE ENTWÜRFE FEHLERHAFT WAREN.

9. Technische Spezifikationen & Zündanleitung

<p>Hersteller: nomadiQ</p> <p>Produktname: Outdoor Gasgrill</p> <p>Modellnr.: CQ_BBQ_OOI</p> <p>Gas Kategorie: Direktdruck Butan-Propangemisch</p> <p>Ausgangsdruck des Reglers: 29 mbar</p> <p>Gesamtwärmeeintrag: 3,2 kW (233 g/h)</p> <p>Düsengröße: 0,64 mm</p> <p>Herkunftsland: Made in PRC</p> <p>Gloucester Road, Wan Chai, HongKong, China</p>	<p>Bestimmungsländer/Ländercode(s):</p> <p>(EU Länder) BE, BG, CZ, DK, DE, EE, EL, ES, FR, HR, IT, CY, LV, LT, LU, HU, MT, NL, AT, PL, RO, SI, SK, FI, SE, UK</p> <p>(EFTA Länder) CH, IS, LI, NO</p> <p>Dieses Gerät darf nur mit der Butan- und Propanpatrone verwendet werden (z.B. Primus Power Gas, Optimus Gas, MSR Isopro, GoSystem Powersource, Cadac CA445), diese Kartuschen sollten der EN417 entsprechen. Es kann gefährlich sein, andere Arten von Gasbehältern zu montieren.</p> <p>CE O359/18 Pin O359/CT/O3307</p>
--	---

ZÜNDANLEITUNG – FÜR ALLE BRENNER

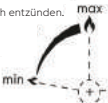
LESEN SIE DIE ANLEITUNG VOR DER ZÜNDUNG GRÜNDLICH

⚠️ WARNUNG: LEHNEN SIE SICH WÄHREND DES ZÜNDVORGANGS NICHT ÜBER DEN GRILL.

1. Montieren Sie das Gerät und schrauben Sie beide Gasschläuche an (s. Anleitung).
2. Drehen Sie beide Regler auf die „O“ Position.
3. Montieren Sie die Gaskartusche am Gasregler, welcher mit den Schläuchen verbunden ist.
4. Drücken und drehen Sie den Regler gegen den Uhrzeigersinn auf die max. Einstellung.
5. Warten Sie 5 Sekunden und Drücken Sie den Zünder, der Brenner sollte sich entzünden.

DREHEN SIE DEN REGLER AUF DIE „O“ POSITION UND WENDEN SIE SICH AN DIE FEHLERBEHANDLUNG“, FALLS DAS GERÄT SICH NACH MEHREREN VERSUCHEN NICHT ENTZÜNDET.

6. Wiederholen Sie die Schritte 4 und 5 für den zweiten Brenner.



Manual de instrucciones

NomadiQ barbacoa de gas portátil

Gracias!

Gracias por elegir nomadiQ, la primera barbacoa portátil de gas real del mundo. Esperamos que encuentre las instrucciones de este manual de usuario útiles y fáciles de seguir. Solo le tomará unos minutos de su tiempo aprender a usar el producto correctamente y experimentar lo mejor de él. ¡Disfruta asando (casi) por todas partes!

Una vez que haya terminado de leer las instrucciones, guarde este manual en un lugar seguro para futuras consultas.

Saludos cordiales,

Equipo nomadiQ

Tabla de contenidos

1. Advertencias e instrucciones de seguridad	página 30
2. Dibujos y representaciones visuales.	página 31
3. Conexiones de gas y regulador(es)	página 31
4. Instrucciones de uso;	página 33
4.1 Preparar para el uso	
4.2 Durante la operación	
4.3 Después del uso	
5. Solución de problemas	página 34
6. Limpieza & mantenimiento	página 35
7. Servicio & Postventa	página 36
8. Garantía	página 36
9. Especificaciones técnicas e instrucciones de iluminación	página 38

I. Advertencias & Instrucciones de seguridad

¡ADVERTENCIA!

- NO OPERE ESTE APARATO ANTES DE LEER EL MANUAL DE INSTRUCCIONES CUIDADOSAMENTE
- NO OPERE ESTE APARATO EN INTERIORES, ES SOLO PARA USO EN EXTERIORES
- NO COLOQUE OBJETIVOS SOBRE O CONTRA ESTE APARATO
- NO ALMACENE NI UTILICE PRODUCTOS QUÍMICOS O MATERIALES INFLAMABLES O AEROSOL VAPORIZADOS CERCA DE ESTE APARATO
- LEA ATENTAMENTE ESTAS INSTRUCCIONES DE USO PARA FAMILIARIZARSE CON EL APARATO ANTES DE CONECTARLO A SU CARTUCHO/RECIPIENTE DE GAS.

¡PELIGRO!

SI HUELES GAS;

- APAGUE EL GAS EN EL APARATO.
- EXTINGUIENDO CUALQUIER TIPO DE FUEGO ABIERTOS
- SI EL OLOR CONTINÚA, MANTÉNGASE ALEJADO DE LOS APARATOS Y LLAME INMEDIATAMENTE A SU PROVEEDOR DE GAS O A SU SERVICIO DE BOMBEROS.

La fuga de gas puede causar un incendio o una explosión que puede causar lesiones corporales graves o la muerte, o daños a la propiedad.

¡ADVERTENCIA!

SIGA TODOS LOS PROCEDIMIENTOS DE VERIFICACIÓN DE FUGAS CUIDADOSAMENTE EN ESTE MANUAL DE INSTRUCCIONES ANTES DE LA OPERACIÓN DE LA BARBACOA. HAGÁ ESTO INCLUSO SI EL SUMINISTRO DE GAS FUE MONTADO POR EL DISTRIBUIDOR.

Advertencias generales e instrucciones de seguridad;

1. Siga todas las advertencias e instrucciones de seguridad cuando utilice el aparato.
2. Conserve este manual de instrucciones para futuras consultas.
3. No use esta parrilla a menos que todas las piezas estén en su lugar. El producto debe estar bien ensamblado, por favor siga las instrucciones cuidadosamente..
4. Cuando instale el producto, asegúrese de que esté sobre una superficie estable (horizontal) e igual, que es lo suficientemente grande y fuerte para soportar el producto y soportará temperaturas de 60°C por encima de la temperatura ambiente.
5. Asegúrese de que el producto tenga una separación adecuada de los materiales combustibles. Todos los materiales combustibles deben mantenerse a más de 250 mm de los lados y de la parte trasera del producto y a más de 1500 mm de la superficie de cocción de la barbacoa.
6. Mientras se enciende el aparato o se cocina, nunca se incline sobre el producto.
7. Este aparato nunca debe ser utilizado por niños. Las partes accesibles de la parrilla pueden estar muy calientes. Mantenga a los niños pequeños, ancianos y mascotas a una distancia segura mientras usa el producto.
8. Precaución al utilizar el aparato. Estará caliente durante y después de su uso, y nunca debe dejarse desatendida, ni moverse durante su uso.
9. Si el quemador se apaga mientras el producto está en uso, apague el producto cerrando la válvula de gas. Espere unos minutos antes de intentar reencender el aparato, siguiendo las instrucciones de este manual.
10. No ponga una tapa de parrilla ni nada inflamable en la parrilla mientras el aparato esté en uso o esté (todavía) caliente.
11. Las personas con ropa inflamable, como el nylon, deben mantenerse bien lejos de la barbacoa cuando esté en uso.
12. En caso de que ocurra un brote incontrolado, aleje los alimentos de las llamas hasta que el brote disminuya.
13. Si se produce un incendio de grasa, apague el quemador/equipo hasta que se apague el fuego.
14. Esta parrilla de gas no está diseñada para uso comercial.
15. Se debe tener cuidado especial al retirar las bandejas de goteo y/o las bandejas desechables. El mal manejo del aceite y las grasas calientes puede causar lesiones graves.
16. El aparato debe limpiarse a fondo regularmente.
17. Use herramientas de barbacoa resistentes al calor y / o guantes para horno cuando opere la parrilla.
18. Mantenga el cable de energía y la manguera de suministro de gas lejos de superficies calientes.
19. No intente desconectar el regulador de gas, el cartucho o cualquier otro accesorio de gas mientras su parrilla esté en uso.
20. Utilice el regulador que se suministra con el aparato.
21. Utilice únicamente accesorios originales y otras piezas originales para utilizar el producto.
22. No opere la parrilla de gas si se presenta una fuga de gas.

23. No utilice una llama para comprobar si hay fugas de gas.
24. Use solamente cartuchos/cilindros de butano (desechables). Preferiblemente cartucho con una válvula EN417 como se ilustra en este manual.
25. El gas butano no es gas natural. La conversión o el intento de uso de gas natural en una unidad de gas butano es peligroso y anulará la garantía.
26. No guarde un cartucho/cilindro de suministro de gas adicional (de repuesto) o desconectado debajo o cerca de esta parrilla.
27. Aunque el cartucho/cilindro de suministro de gas pueda parecer que está vacío, es posible que todavía haya gas, y el cartucho/cilindro debe transportarse y almacenarse en la forma adecuada.
28. Asegúrese de estar al aire libre y lejos de cualquier fuente de ignición cuando cambie o conecte el cartucho o el cilindro.
29. Después de un período de almacenamiento y/o no uso, la parrilla de gas debe ser revisada para detectar fugas de gas y obstrucciones en el quemador antes de su uso. Consulte las instrucciones de este manual de instrucciones para obtener información sobre los procedimientos correctos.
30. Un cartucho/cilindro de suministro de gas abollados o oxidados puede ser peligroso y debe ser revisado por su proveedor de gas. No utilice un cartucho/cilindro de suministro de gas con una válvula dañada.
31. No utilice ni almacene este aparato en áreas con alto contenido de sal (ambiente marino) o en áreas con vapores o líquidos cáusticos (como piscinas domésticas), ya que estos productos químicos pueden causar que los materiales del aparato se deterioren (y anular la garantía).
32. No realice ningún mantenimiento en el colector de gas de la barbacoa usted mismo - esto sólo debe ser realizado por técnicos autorizados.
33. No utilice carbón, briquetas o piedra de lava en este aparato.
34. No ponga la parrilla sobre vidrio o una superficie inflamable.
35. El uso de alcohol, medicamentos recetados, medicamentos sin receta o drogas ilegales puede perjudicar la capacidad del consumidor para ensamblar, mover, almacenar o utilizar el aparato de manera adecuada y segura.
36. Este aparato no está destinado ni debe ser utilizado como calentador.
37. No agrandar el orificio de la válvula o los puertos del quemador cuando limpie la válvula o el quemador.
38. No construya este aparato en ninguna construcción integrada o que se pueda deslizar. Ignorar esta advertencia podría causar un incendio o una explosión que podría dañar la propiedad y causar lesiones corporales graves o la muerte.

2. Dibujos y representaciones visuales

Planos de montaje y lista de piezas , **imágenes de referencia 1 y 2 en la página 3.**

- | | |
|---|--|
| I. Cinturón | II. Base |
| 2. Clips de cinturón (2x) | 12. Encendedor |
| 3. Rejillas (2x) | 13. Bloqueo de las rejillas (2x) |
| 4. Rejillas para ensamblar los ganchos (4x) | 14. Puntos de ignición del encendedor (2x) |
| 5. Manijas (2x) | 15. Quemadores (2x) |
| 6. Planchas de cocina (2x) | 16. Conectores rápidos macho (2x) |
| 7. Botones de control (2x) | 17. Conectores rápidos hembra (2x) |
| 8. Bandejas de goteo (2x) | 18. Conjunto de la manguera de gas |
| 9. Base/pie | 19. Regulador de gas |
| 10. Perillas de bloqueo (2x) | |

Las instrucciones visuales 3 - 27 para la utilización se muestran en las páginas 4 a 9. Encontrará también las instrucciones correspondientes en el área "instrucciones de uso" del manual.

3. Conexiones de gas & regulador(es)

Conexión de un cartucho de gas desechable

El producto es estándar configurado para cartuchos de gas desechables que cumplen con la norma EN417 y tienen una conexión de tornillo, como se muestra en la imagen de abajo. Los cartuchos deben contener gases de butano. Estos son cartuchos de gas de tipo común que se pueden encontrar en casi todos los minoristas relacionados con la industria del outdoor en todo el mundo.

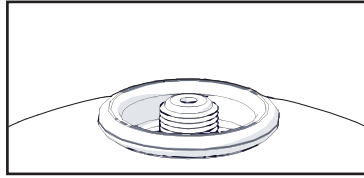


Imagen EN417 (Válvula Lindal)

Al conectar o cambiar el cartucho de gas;

- Compruebe si los quemadores están apagados y ambos botones de control están en la posición “O”, antes de desconectar el cartucho de gas, **imagen A.**
- Desmontar con cuidado el cartucho vacío, si procede, del regulador de gas enroscándolo en el sentido de las agujas del reloj, **imagen A.**
- Compruebe si el sello en el regulador de gas está en su lugar y en buenas condiciones, **imagen B.**
- Compruebe si las juntas de los conectores rápidos están en su posición y en buen estado, **imagen C.**
- Montar un nuevo cartucho en el regulador de gas enroscándolo en sentido contrario a las agujas del reloj, **imagen D.** Siempre haga esto fuera y lejos de las personas.
- Asegúrese de que no hay fugas de gas, vea 'procedimiento de detección de fugas'.
- Si todo parece hermético y bien conectado, podrá volver a utilizar el aparato.

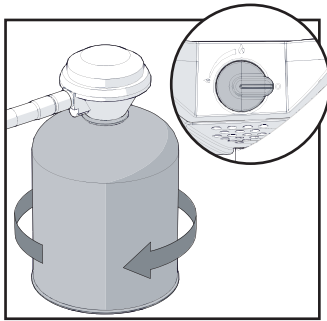


Imagen A.

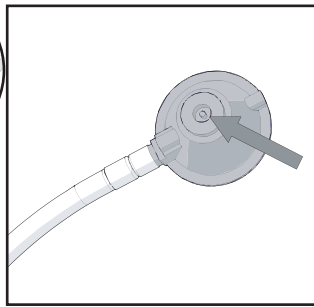


Imagen B.

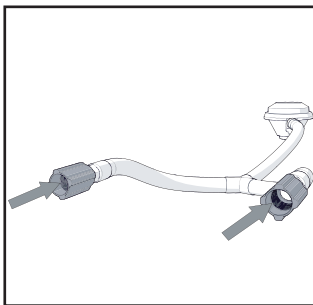


Imagen C.

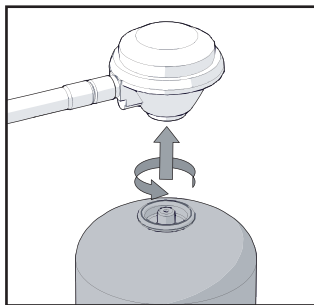


Imagen D.

Antes del uso, asegúrese de que la válvula y la conexión roscada no estén dañadas. Compruebe también si los sellos (entre el aparato y el recipiente de gas) están colocados y en buenas condiciones antes de conectarlo al recipiente de gas.

NomadiQ recomienda utilizar el conjunto de manguera de gas suministrado con los cartuchos de gas desechables como se muestra arriba. Si está considerando la posibilidad de conectar suministros de gas alternativos, póngase en contacto con nuestro servicio de atención al cliente y servicio postventa para obtener más información.

Additional instructions & tips related to the gas supply and connection.

- Desconecte el cartucho si está vacío.
- Desconecte el cartucho si la parrilla está siendo almacenada en un garaje o en otro lugar cerrado.
- Desconecte el cartucho si la parrilla está siendo transportada.
- Evite doblar la manguera.
- Asegúrese de que el suministro de gas esté colocado sobre una superficie estable y evite que el tubo flexible se retuerza.
- Las piezas selladas por el fabricante no deben ser modificadas por el usuario.
- Cualquier modificación del aparato puede ser peligrosa.
- Los suministros de gas, especialmente los cartuchos, pueden enfriarse durante el uso y pueden aparecer heladas en la parte exterior del suministro. Este fenómeno es bastante común, pero también puede influir en el funcionamiento de la parrilla. Poner el suministro de gas en una capa de agua, manteniendo la parte superior del suministro suficientemente por encima del nivel del agua, puede prevenir esta situación.

Procedimiento de detección de fugas

Asegúrese de que los botones de control del aparato estén en "O" y, en su caso, abra la válvula del suministro de gas/regulador. Compruebe si hay fugas cepillando con una solución de detergente medio líquido y media agua. Si hay una fuga, aparecerán burbujas (o puede oír un sonido sibilante). Por lo general, volver a apretar las conexiones puede reparar una fuga. También debe comprobar la manguera de gas y la conexión en el cilindro de gas. Si no se puede resolver una fuga, no proceda. Póngase en contacto con el servicio técnico y el servicio postventa para obtener más información.

¡ADVERTENCIA!

NO UTILICE LLAMAS PARA LOCALIZAR FUGAS DE GAS. SI LA FUGA PERSISTE, PÓNGASE EN CONTACTO CON UN INSTALADOR DE GAS AUTORIZADO.

ANTES DE CADA USO, REVISE LA MANGUERA DE GAS EN BUSCA DE GRIETAS, CORTES, MELLAS O ABRASIONES. SI LA MANGUERA ESTÁ DAÑADA DE ALGUNA MANERA, NO LA UTILICE. REEMPLACE LA MANGUERA DE GAS USANDO SOLAMENTE UNA MANGUERA DE REPUESTO NOMADIQ.

4. Instrucciones de uso

Por favor, siga cuidadosamente las siguientes instrucciones en combinación con las imágenes de referencia que se muestran en **las páginas 4 a 9**.

4.1 Preparar para el uso

Paso 1: Quitar el cinturón, **imagen 3**

Paso 2: Retire la bolsa de protección. (Este paso es opcional, ya que depende de si el aparato fue entregado adicionalmente con este accesorio.)

Paso 3: Abra el primer mecanismo de bloqueo abriendo el pie por debajo de la base, **imagen 4**.

Paso 4: Abra ambas perillas de bloqueo a cada lado del producto, **imagen 5**.

Paso 5: Las conchas de asar se sueltan y se pueden sacar y abrir, **imagen 6 y 7**.

Paso 6: Cierre las perillas de bloqueo a ambos lados de la parrilla, **imagen 8**.

Paso 7: Instale las varillas de goteo en el pie del aparato, **imagen 9**.

Paso 8: Ensamble los conectores rápidos de la manguera de gas en cada asador, **imagen 10 y 11**.

Paso 9: Conecte el suministro de gas al regulador de gas, asegúrese de que las perillas de control del producto estén en "O", **imagen 12**.

Para más instrucciones relacionadas con la conexión de gas (suministro), consulte también la sección "conexión de gas" de este manual.

4.2 Durante la operación

Paso 10: Abra la válvula ajustando la perilla de control en el ajuste más alto, espere unos segundos y presione el botón de encendido en el lado de la base del producto, **imagen 13 y 14**.

Este paso se puede aplicar y controlar individualmente para cada concha de la parrilla.

Paso 11: Controlar la llama y la temperatura del quemador ajustando la perilla de control, **imagen 15**

Para más información, consulte también las 'instrucciones de iluminación' en la **página 38** de este manual.

Consejos & Trucos 'durante el uso'

- Una ligera capa de aceite ayudará a que su comida esté homogénea y evitará que se pegue a las rejillas. Siempre rocíe o unte aceite sobre sus ingredientes, pero no directamente sobre la parrilla mientras esté en uso.
- Las condiciones de la parrilla pueden requerir el ajuste de las perillas de control para lograr las temperaturas correctas de la parrilla.
- Cuando utilice una salsa o marinada con un alto contenido de azúcar u otros ingredientes que se quemem fácilmente, sólo póngala en la comida durante los últimos 5 a 10 minutos de la parrilla.
- Retire el exceso de grasa de las chuletas, asados y filetes. Menos grasa facilita la limpieza y previene los brotes no deseados.
- Siempre asegúrese de que las conchas de asar y las bandejas de goteo extraíbles estén limpias antes de usarlas.

Para más información sobre 'Consejos & Trucos' durante el uso del aparato, visite www.nomadiqbq.com

4.3 Después uso

Paso 12: Apague el aparato cerrando la válvula y girando las perillas de control en el ajuste 'O', **imagen 16**.

Paso 13: Deje que la unidad se enfríe de 10 a 15 minutos.

Paso 14: Desmonte el suministro de gas y retire el conjunto de la manguera de gas, **imagen 17**.

Paso 15: Retire y limpie las bandejas de goteo.

Paso 16: Retire las rejillas y limpie el interior de las conchas y los grados con una toalla de limpieza suave / servilleta desechable, **imagen 18 y 19**.

Paso 17: Ensamble las rejillas, asegúrese de que estén colocadas correctamente sobre los 2 ganchos. Ensamble las rejillas, asegúrese de que estén colocadas correctamente sobre los 2 ganchos. También asegúrese de que estén bloqueados deslizando las bloqueos de rejillas debajo. (localizadas cerca de la bisagra), **imagen 20**.

Paso 18: Abra las perillas de bloqueo a cada lado del aparato, **imagen 21**.

Paso 19: Cierre las carcasas deslizándolas hacia atrás en la base del aparato, **imagen 22 y 23**.

Paso 20: Cierre las perillas de bloqueo a cada lado del aparato, **imagen 24**.

Paso 21: Cierre el pie girando estos por debajo de la base del aparato, **imagen 25**.

Paso 22: Montaje de el cinturón, **imagen 26**.

Opcionalmente, montar la bolsa de protección antes del "paso 22".

... y estás listo para hacerlo de nuevo!

5. Solución de problemas

EL QUEMADOR NO SE ENCIENDE CUANDO SE USA EL ENCENDEDOR

La válvula no está ON/abierta --> Gire la válvula encendida/abra la válvula.

El conjunto de la manguera de gas y/o el suministro de gas no está instalado correctamente --> Vuelva a ensamblar el suministro de gas, la manguera de gas y los conectores rápidos.

El cartucho/cilindro de gas está bajo o vacío --> Reemplazar con un suministro de gas lleno.

Ignitor no está chispeando --> Elimina rejillas y limpia cuidadosamente los puntos de chispa con un cepillo de dientes.

El encendedor no está chispeando --> Abra los cierres laterales y mueva ambas carcasas de la parrilla hacia un lado.

Compruebe visualmente que los cables al punto de ignición o desde el chasis no estén rotos o desconectados.

La inyección está bloqueada -->

Póngase en contacto con el Servicio de Atención al cliente y el Servicio Postventa para obtener más información.

LA LLAMA DEL QUEMADOR ES ERRÁTICA

El quemador se bloquea --> Elimina rejillas y limpia cuidadosamente los agujeros quemados con un cepillo de dientes "duro".

La llama está ardiendo dentro del quemador (sonido sibilante) --> Apague el quemador/aparato, deje que se enfríe por unos minutos y vuelva a encenderse.

El inyector está parcialmente bloqueado --> Póngase en contacto con el Servicio Técnico y el Servicio Post-

venta para obtener más información.

HAY FUGAS DE GAS DE LAS CONEXIONES.

Las conexiones están sueltas --> Apriete las conexiones sueltas (tanto los conectores rápidos como el conjunto regulador/suministro de gas).

Compruebe también el “procedimiento de detección de fugas” en la sección “conexiones de gas y regulador(es)” de este manual o póngase en contacto con el Servicio Postventa para obtener más información

6. Limpieza & Mantenimiento

Limpieza exterior

Antes de limpiar el exterior del aparato, asegúrese de que éste se haya enfriado y de que sea seguro de tocar. Las superficies pintadas y plásticas se pueden limpiar con un detergente o limpiador doméstico suave y un paño de limpieza seca (no utilice estropajos ni detergentes fuertes). Es aconsejable probar los limpiadores en una pequeña sección del aparato primero. NUNCA use diluyentes de pintura o solventes similares para la limpieza y NUNCA vierta agua fría sobre superficies calientes. Asegúrese de que todas las superficies estén secas cuidadosamente antes de cubrir y almacenar el producto.

Limpieza interior

Antes de limpiar las partes internas de su barbacoa, asegúrese de que el aparato se haya enfriado completamente y de que sea seguro de tocar. El interior se puede limpiar con un poco de agua, detergente suave y una esponja suave o toalla de limpieza. Las superficies revestidas antiadherentes (en el interior de las planchas de la parrilla) se deben limpiar cuidadosamente con una toalla de limpieza ligera y húmeda. Para áreas difíciles de limpiar, use un poco de bicarbonato de sodio sobre una esponja húmeda y/o un cepillo suave. Las rejillas revestidas antiadherentes se pueden sacar y limpiar fácilmente bajo el grifo con agua y detergentes suaves. Todas las piezas y la superficie necesitan ser secadas usando un paño de limpieza suave y seco.

¡ADVERTENCIA! Los puntos de chispa ubicados en la cáscara de la parrilla cerca del quemador son afilados, tenga cuidado durante la limpieza para evitar lesiones.

Nota: Las superficies revestidas antiadherentes, como las rejillas, se ensucian si los alimentos se queman en la(s) superficie(s). No utilice productos de limpieza abrasivos o equipos afilados y/o duros, como utensilios de cocina de metal o cepillos, sobre estas superficies, ya que podrían resultar dañados en este tipo de recubrimientos!

Limpieza exhaustiva y mantenimiento anual

Para una limpieza exhaustiva, se pueden retirar las cáscaras de la parrilla para limpiar ocasionalmente la parte interior de la base. Por favor, siga cuidadosamente las siguientes instrucciones en combinación con las imágenes de referencia que se muestran en la **página 9**.

1. Libere las planchas de cocinar siguiendo los pasos 1 a 4 mencionados en la sección “instrucciones de uso”. Saque las dos conchas de asar y voltee con cuidado las dos conchas de asar en el punto final hacia un lado, **imagen 28**.
2. Desconecte con cuidado ambos cables del dispositivo de encendido, situado en la parte inferior de la base, **imagen 29**.
3. Vuelva a colocar las dos conchas de asar en posición vertical y deslice las conchas de asar hasta la mitad de la base. Inclíne las bandejas laterales de las conchas de asar para que los pasadores guía se suelten de la base, **imagen 30**.
4. Suelte las conchas de asar, aún inclinadas en un movimiento vertical fuera de la base. La superficie interior de la base y la superficie exterior de las conchas de asar están ahora accesibles para su limpieza, **imagen 31**.
5. Después de la limpieza, las conchas de asar pueden ser colocadas de nuevo en la base siguiendo los pasos anteriores y viceversa. Para evitar daños, asegúrese de que los dos pasadores de guía de las conchas de asar estén colocados correctamente en las ranuras de guía designadas en la base antes de deslizar las conchas en la base

Limpieza y mantenimiento del quemador.

Se recomienda inspeccionar y limpiar el tubo del quemador al menos una vez al año, para que su parrilla de gas funcione de manera segura y eficiente. Para retirar los quemadores para una limpieza y una inspección

exhaustiva, siga cuidadosamente las siguientes instrucciones en combinación con las imágenes de referencia que se muestran en **la página 9**.

También siga estos pasos si se ve un patrón de llama irregular.

1. Asegúrese de que el suministro de gas esté cerrado y de que la parrilla de gas se haya enfriado correctamente. Retire los 2 tornillos del centro del quemador de las conchas de asar con un destornillador tipo Philips y deslice cuidadosamente el quemador fuera de la concha de asar, **imagen 32**.
2. La siguiente información debe tenerse en cuenta durante la inspección y la limpieza, **imagen 33**:
 - Con el uso repetido de la parrilla, las aberturas del quemador pueden ensuciarse con el tiempo. Los puertos sucios y bloqueados pueden restringir el flujo de gas, lo que puede causar situaciones peligrosas.
 - Inspeccione el interior del tubo del quemador con una linterna para determinar si hay alguna obstrucción visible que restrinja el flujo de gas a las aberturas del quemador.

Si alguna obstrucción es visible en el interior o exterior, limpie el área con un cepillo de cerdas de acero o un alambre de acero. Asegúrese de que todas las áreas bloqueadas estén limpias antes de volver a instalar el quemador en la parrilla.

Para instalar o reemplazar el quemador, colóquelo nuevamente en la parrilla. Asegúrese de que el tubo esté colocado correctamente sobre el orificio de gas y apriete los 2 tornillos.

Almacenamiento

Cuando el aparato no está en uso, la válvula del cilindro debe estar APAGADA, el aparato y el cilindro juntos deben almacenarse al aire libre en un área bien ventilada. Sin embargo, está permitido almacenar el aparato (pero no el cilindro) en el interior. Asegúrese de que el aparato esté bien limpio, especialmente las rejillas, antes de guardarlo. Cuando el cilindro de gas esté desconectado, reemplace el tapón o la tapa en la salida de la válvula, si está disponible.

Almacenamiento prolongado

Después de un almacenamiento prolongado, se recomienda limpiar y comprobar el quemador y el suministro de gas, siguiendo las siguientes instrucciones.

Quemador(es)

Cepille el exterior de los quemadores con un cepillo rígido, por ejemplo un cepillo de dientes “duro”, para eliminar manchas y suciedad. Tenga cuidado de no dañar los puntos de chispa del encendedor.

Suministro & conexión de gas

1. Inspeccione el conjunto de la manguera de gas en busca de cualquier deterioro y reemplácela si es necesario.
2. Pruebe el circuito de gas en busca de fugas y corrija las que encuentre, también vea ‘procedimiento de detección de fugas’ en la sección ‘conexiones de gas y regulador(es)’ de este manual.
3. Compruebe si las juntas del conjunto de la manguera de gas (entre el aparato y el depósito de gas) están colocadas y en buen estado, también antes de conectar un (nuevo) depósito de gas. Estas juntas se encuentran en los conectores rápidos y en el regulador de gas; la ubicación exacta también se encuentra en **la página 32**, capítulo “**conexiones de gas y regulador(es)**”. Si parece que los sellos necesitan ser reemplazados, póngase en contacto con nuestro departamento de Servicio y Postventa para obtener más información y asistencia.

7. Servicio & Postventa

Datos de contacto

Servicio de atención al cliente de NomadiQ Europe
+31 (0) 85 877 02 92

Correo electrónico: questions@nomadiqbbq.com

O rellene el formulario de contacto en línea: www.nomadiqbbq.com

8. Garantía

Esta es la garantía de nomadiQ que se le ofrece sin cargo adicional. Contiene la información que necesitará para reparar su producto en el caso improbable de que se produzca un fallo o defecto.

De acuerdo con las leyes aplicables, el cliente tiene varios derechos en caso de que el producto sea defectuoso. Estos derechos incluyen el cumplimiento o la sustitución complementarios, la reducción del precio de compra y la compensación. En la Unión Europea, por ejemplo, se trataría de una garantía legal de dos años a partir de la fecha de entrega del producto. Estos y otros derechos legales no se verán afectados por esta disposición de garantía. De hecho, esta garantía otorga derechos adicionales al propietario que son independientes de las disposiciones legales de garantía.

nomadiQ's Garantía

nomadiQ garantiza al comprador del producto (o en el caso de un regalo o situación promocional, a la persona para la que se compró como regalo o artículo promocional), que el producto está libre de defectos de material y mano de obra durante el período de tiempo especificado a continuación, cuando se monta y opera de acuerdo con el manual de instrucciones adjunto.

En caso de uso y mantenimiento normal de una vivienda unifamiliar o apartamento, nomadiQ se compromete, en el marco de esta garantía, a reparar o sustituir las piezas defectuosas dentro de los períodos de tiempo, las limitaciones y las exclusiones que se enumeran a continuación. EN LA MEDIDA EN QUE LO PERMITA LA LEY APLICABLE, ESTA GARANTÍA SE EXTIENDE ÚNICAMENTE AL COMPRADOR ORIGINAL Y NO ES TRANSFERIBLE A LOS PROPIETARIOS SUBSIGUIENTES, EXCEPTO EN EL CASO DE REGALOS Y ARTÍCULOS PROMOCIONALES COMO SE HA INDICADO ANTERIORMENTE.

Responsabilidades del dueño según esta garantía

Para garantizar una cobertura de garantía sin problemas, es importante que registre su producto nomadiQ en línea en www.nomadiQbbq.com, o en el sitio web específico de cada país al que pueda ser redirigido el propietario. Por favor, conserve también su recibo de venta y/o factura original. El registro de su producto confirma su cobertura de garantía y proporciona un enlace directo entre usted y nomadiQ en caso de que necesitemos ponernos en contacto con usted. La garantía anterior sólo se aplica si el propietario cuida razonablemente el producto siguiendo todas las instrucciones descritas en el manual de instrucciones adjunto, a menos que el dueño pueda probar que el defecto o fallo es independiente del incumplimiento de las obligaciones antes mencionadas. Si usted vive en una zona costera, o tiene su producto cerca de una piscina, el mantenimiento incluye el lavado y enjuague regular de las superficies exteriores.

Manejo de la garantía/Exclusión de la garantía

Si cree que tiene una parte que está protegida por esta garantía, póngase en contacto con el servicio postventa de nomadiQ.

nomadiQ, previa investigación, reparará o reemplazará (a su elección) una pieza defectuosa que esté protegida por esta garantía. En caso de que no sea posible la reparación o el reemplazo, nomadiQ puede elegir (a su elección) reemplazar el aparato en cuestión por uno nuevo. nomadiQ puede pedirle que devuelva las piezas para su inspección. Esta GARANTÍA se extingue si hay daños, deterioros, decoloraciones, y/o herrumbre de los cuales nomadiQ no es responsable causados por:

- Abuso, mal uso, alteración, modificación, aplicación incorrecta, vandalismo, negligencia, ensamblaje o instalación inadecuados, y no realizar adecuadamente el mantenimiento normal y de rutina;
- Insectos (como las arañas) y roedores (como las arpillas), incluyendo pero no limitado a daños en los tubos de los quemadores y/o mangueras de gas;
- Exposición a fuentes de aire salino y/o cloro como piscinas y jacuzzis/spas;
- Condiciones climáticas severas como granizo, huracanes, terremotos, tsunamis o marejadas, tornados o tormentas severas.

El uso y/o la instalación de piezas en su producto que no sean piezas originales de NomadiQ anulará esta garantía, y cualquier daño que resulte de lo anterior no estará cubierto por esta garantía. Cualquier conversión de un aparato no autorizado por nomadiQ y realizada por un técnico de servicio no autorizado de nomadiQ anulará esta garantía.

PERÍODOS DE GARANTÍA DEL PRODUCTO

Base y conchas para asar:

5 años, sin oxidación ni quemaduras

(2 años de pintura, excluyendo decoloración o descoloración).

Tubos de acero inoxidable para quemadores:

5 años, sin oxidación ni quemaduras

Las rejillas de aluminio fundido a presión:

5 años, no rust through/burn through

componentes de plástico:

5 años, excepto decoloración o descoloración


Todas las partes restantes:

2 años

CLÁUSULAS DE EXENCIÓN

APARTE DE LA GARANTÍA Y LAS CLÁUSULAS DE EXENCIÓN DE RESPONSABILIDAD COMO SE DESCRIBEN EN ESTA DECLARACIÓN DE GARANTÍA, NO HAY EXPLÍCITAMENTE NINGUNA OTRA GARANTÍA O DECLARACIÓN VOLUNTARIA DE RESPONSABILIDAD QUE VAYA MÁS ALLÁ DE LA RESPONSABILIDAD LEGAL APLICABLE A NOMADIQ. LA PRESENTE CLÁUSULA DE GARANTÍA TAMPOCO LIMITA NI EXCLUYE SITUACIONES O RECLAMACIONES EN LAS QUE NOMADIQ TENGA RESPONSABILIDAD OBLIGATORIA SEGÚN LO PRESCRITO POR LA LEY. NO SE APLICARÁ NINGUNA GARANTÍA DESPUÉS DE LOS PERÍODOS APLICABLES DE ESTA GARANTÍA. NINGUNA OTRA GARANTÍA DADA POR CUALQUIER PERSONA, INCLUYENDO UN DISTRIBUIDOR O MINORISTA, CON RESPECTO A CUALQUIER PRODUCTO (COMO CUALQUIER "GARANTÍA EXTENDIDA"), OBLIGARÁ A NOMADIQ EL REMEDIO EXCLUSIVO DE ESTA GARANTÍA ES LA REPARACIÓN O EL REEMPLAZO DE LA PIEZA O PRODUCTO. EN NINGÚN CASO, SEGÚN ESTA GARANTÍA VOLUNTARIA, LA RECUPERACIÓN DE NINGÚN TIPO SERÁ SUPERIOR AL IMPORTE DEL PRECIO DE COMPRA DEL PRODUCTO NOMADIQ VENDIDO. USTED ASUME EL RIESGO Y LA RESPONSABILIDAD POR PÉRDIDA, DAÑO O LESIÓN A USTED Y A SU PROPIEDAD Y/O A OTROS Y A SU PROPIEDAD QUE SURJAN DEL MAL USO O ABUSO DEL PRODUCTO O DEL INCUMPLIMIENTO DE LAS INSTRUCCIONES PROPORCIONADAS POR NOMADIQ EN EL MANUAL DE INSTRUCCIONES ADJUNTO. LAS PIEZAS Y ACCESORIOS REEMPLAZADOS SEGÚN ESTA GARANTÍA ESTÁN GARANTIZADOS SÓLO POR EL RESTO DE LOS PERÍODOS DE GARANTÍA ORIGINALES MENCIONADOS ANTERIORMENTE. ESTA GARANTÍA SE APLICA ÚNICAMENTE AL USO PRIVADO DE VIVIENDAS UNIFAMILIARES O APARTAMENTOS Y NO SE APLICA A LOS APARATOS NOMADIQ UTILIZADOS EN ENTORNOS COMERCIALES, COMUNALES O DE UNIDADES MÚLTIPLES, COMO RESTAURANTES, HOTELES, COMPLEJOS TURÍSTICOS O PROPIEDADES DE ALQUILER. NOMADIQ PUEDE CAMBIAR DE VEZ EN CUANDO EL DISEÑO DE SUS PRODUCTOS. NADA DE LO CONTENIDO EN ESTA GARANTÍA SE INTERPRETARÁ COMO OBLIGANDO A NOMADIQ A INCORPORAR DICHS CAMBIOS DE DISEÑO EN PRODUCTOS FABRICADOS PREVIAMENTE, NI DICHS CAMBIOS SE INTERPRETARÁN COMO UNA ADMISIÓN DE QUE LOS DISEÑOS ANTERIORES ERAN DEFECTUOSOS.


9. Especificaciones técnicas & instrucciones de iluminación

Fabricante: nomadiQ	País de destino / código (s) del país:
Nombre del producto: parrilla de gas al aire libre	Países de la UE) BE, BG, CZ, DK, DE, EE, EL, ES, FR, HR, IT, CY, LV, LT, LU, HU, MT, NL, AT, PL, RO, SI, SK, FI, SE, UK
Número de modelo: CQ_BBQ_OOI	(Países de la AELC) CH, IS, LL, NO
Categoría de gas: Presión directa - Butano	
Presión de salida del regulador: 29 mbar	
Entrada de calor total: 3,2 kW (233g / h)	Este aparato debe utilizarse con cartuchos de butano de presión directa (por ejemplo; Primus Power Gas, Optimus Gas, MSR Isoport, GeoSystem Powersource, Cadac CA445) Estos cartuchos deben cumplir con la norma EN417. Puede ser peligroso intentar instalar otros tipos de contenedores de gas.
Tamaño de la boquilla: 0,64mm	
País de origen: Hecho en República Popular de China	
Gloucester Road, Wan Chai, HongKong, China	 0359/18 Pin 0359/CT/03507

INSTRUCCIONES DE ILUMINACIÓN PARA TODOS LOS QUEMADORES

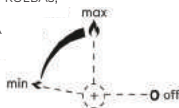
LEA LAS INSTRUCCIONES CUIDADOSAMENTE ANTES DE LA ILUMINACIÓN.

 **ADVERTENCIA: NO TE INCLINES SOBRE LA PARRILLA AL ENCENDER.**

1. Instale el aparato y atornille ambas mangueras del conjunto de la manguera de gas al aparato (consulte el manual para la instalación correcta)
2. Gire la perilla de control en ambos lados a la posición "O" desactivada.
3. Instale el recipiente de gas en el regulador de gas conectado al conjunto de la manguera.
4. Presione y gire la perilla de control en sentido contrario a las agujas del reloj hasta la configuración máxima 
5. Espere 5 segundos y presione el encendedor, el quemador debe encenderse.

SI LA IGNICIÓN NO FUNCIONA DESPUÉS DE VARIAS PRUEBAS, GIRE LA PERILLA DE CONTROL A LA POSICIÓN DE DESACTIVADA "O" Y CONSULTE EL MANUAL PARA LA SOLUCIÓN DE PROBLEMAS.

6. Repita los pasos 4 y 5 anteriores para el otro quemador.



Manuale di istruzioni

Barbecue a gas portatile nomadiQ

Grazie!

Grazie per aver scelto nomadiQ, il primo vero barbecue a gas portatile al mondo. Ci auguriamo che troverete le istruzioni di questo manuale per gli utenti utili e facili da seguire. Ci vorranno solo pochi minuti del vostro tempo per imparare come usare correttamente il prodotto e sfruttarlo al meglio. Divertiti a grigliare (quasi) ovunque!

Dopo aver letto le istruzioni, conservare questo manuale in un luogo sicuro per riferimenti futuri.

Cordiali saluti, Team nomadiQ

Sommario

1.	Avvertenze e istruzioni di sicurezza	pagina 40
2.	Disegni e grafica delle istruzioni del prodotto	pagina 41
3.	Collegamenti e regolatori del gas	pagina 41
4.	Istruzioni per l'uso;	pagina 43
	4.1 Preparazione per l'uso	
	4.2 Durante il funzionamento	
	4.3 Dopo l'utilizzo	
5.	Risoluzione dei problemi	pagina 44
6.	Pulizia e manutenzione	pagina 45
7.	Servizio e assistenza post-vendita	pagina 46
8.	Garanzia	pagina 46
9.	Specifiche tecniche e istruzioni di illuminazione	pagina 48

I. Avvertenze e istruzioni di sicurezza

AVVERTENZA!

- NON UTILIZZARE QUESTO APPARECCHIO PRIMA DI LEGGERE COMPLETAMENTE IL MANUALE DI ISTRUZIONI
- NON UTILIZZARE QUESTO APPARECCHIO ALL'INTERNO, L'APPARECCHIO È ESCLUSIVAMENTE PER USO ESTERNO
- NON POSIZIONARE OGGETTI SULL'APPARECCHIO O CONTRO DI ESSO
- NON CONSERVARE O UTILIZZARE PRODOTTI CHIMICI O MATERIALI INFIAMMABILI O AEROSOL SPRAY VICINO A QUESTO APPARECCHIO
- LEGGERE ATTENTAMENTE QUESTE ISTRUZIONI PER L'USO IN MODO DA FAMILIARIZZARE CON L'APPARECCHIO PRIMA DI COLLEGARLO ALLA CARTUCCIA/CONTAINER GAS.

PERICOLO!

IN CASO DI ODORE DI GAS;

- SPEGNERE IL GAS DELL'APPARECCHIO.
- ESTINGUERE QUALUNQUE FIAMMA APERTA.
- SE L'ODORE PERSISTE, RESTARE LONTANI DALL'APPARECCHIO E CHIAMARE IMMEDIATAMENTE IL FORNITORE DI GAS O I POMPIERI.

Perdite di gas possono causare un incendio o un'esplosione che può causare gravi lesioni personali o morte, o danni alla proprietà.

AVVERTENZA!

SEGUIRE ATTENTAMENTE TUTTE LE PROCEDURE DI CONTROLLO DELLE PERDITE CONTENUTE NEL PRESENTE MANUALE DI ISTRUZIONI PRIMA DI METTERE IN FUNZIONE IL BARBECUE. ESEGUIRE QUEST'OPERAZIONE ANCHE SE LA FORNITURA DI GAS È STATA ASSEMBLATA DAL RIVENDITORE.

Avvisi generali e istruzioni di sicurezza

1. Seguire tutti gli avvisi e le istruzioni di sicurezza quando si utilizza l'apparecchio.
2. Conservare questo manuale di istruzioni per riferimenti futuri.
3. Non usare questa griglia a meno che tutti i componenti siano in posizione. Il prodotto deve essere assemblato adeguatamente, seguire le istruzioni attentamente.
4. Quando si installa il prodotto, assicurarsi che sia su una superficie stabile (orizzontale) e uguale, che sia grande e sufficientemente resistente da supportare il prodotto e resista a temperature di 60 °C superiori alla temperatura ambiente.
5. Assicurarsi che il prodotto sia collocato a una distanza sufficiente da materiali combustibili. Tutti i materiali combustibili devono essere tenuti a una distanza di oltre 250 mm dai lati e dal retro del prodotto e ad oltre 1500 mm di altezza dalla superficie di cottura del barbecue.
6. Quando si accende l'apparecchio o si cucina, mai appoggiarsi sul prodotto.
7. Questo apparecchio non dovrebbe mai essere usato dai bambini. Le parti accessibili della griglia potrebbero essere molto calde. Tenere bambini, anziani e animali domestici a distanza di sicurezza durante l'utilizzo del prodotto.
8. Attenzione quando si usa l'apparecchio. Sarà caldo durante e dopo l'uso e non dovrebbe mai essere lasciato incustodito o spostato mentre è in funzione.
9. Se il fornello si spegne mentre il prodotto è in funzione, spegnere il prodotto chiudendo la valvola del gas. Attendere alcuni minuti prima di tentare di riaccendere l'apparecchio, seguendo le istruzioni in questo manuale.
10. Non mettere un coprigriglia o altro materiale infiammabile sulla griglia mentre l'apparecchio è in funzione o è (ancora) caldo.
11. Le persone con indumenti infiammabili come il nylon devono stare lontani dal barbecue quando è in funzione.
12. Se si verifica una riacutizzazione incontrollata, spostare il cibo lontano dalle fiamme fino a quando la svasatura non si attenua.
13. Se si verifica un incendio di grasso, spegnere il fornello/apparecchio fino a quando non si spegne il fuoco.
14. Questa griglia a gas non è destinata all'uso commerciale.
15. Prestare particolare attenzione durante la rimozione dei gocciolatoi e/o dei vassoi monouso. La manipolazione scorretta di olio e grassi caldi può causare gravi lesioni.
16. L'apparecchio dovrebbe essere pulito a fondo regolarmente.
17. Utilizzare attrezzi da barbecue resistenti al calore e/o guanti da forno quando si utilizza la griglia.
18. Tenere il cavo di alimentazione e il tubo di alimentazione del combustibile lontano da superfici riscaldate.
19. Non tentare di scollegare il regolatore del gas, la ricarica/il filtro o qualsiasi raccordo del gas mentre

- la griglia è in funzione.
20. Utilizzare il regolatore fornito con l'apparecchio.
 21. Utilizzare solo accessori originali o altre parti originali per lavorare con il prodotto.
 22. Non utilizzare la griglia a gas se è presente una perdita di gas.
 23. Non utilizzare una fiamma per verificare la presenza di perdite di gas.
 24. Utilizzare solo ricariche/bombole di butano (usa e getta). Preferibilmente ricarica con una valvola EN417 come illustrato in questo manuale.
 25. Il gas butano non è gas naturale. La conversione o il tentativo di utilizzo del gas naturale in un'unità di gas combustibile è pericolosa e annullerà la garanzia.
 26. Non conservare una ricarica / bombola di alimentazione del gas supplementare (di riserva) o scollata sotto o vicino a questa griglia.
 27. Sebbene la ricarica / bombola di alimentazione del gas possa sembrare vuota, il gas potrebbe essere ancora presente e la ricarica / bombola dovrebbe essere trasportata e conservata conformemente.
 28. Assicurarsi di essere all'aperto e lontano da qualsiasi fonte di accensione quando sostituisce o collega la ricarica o la bombola.
 29. Dopo un periodo di conservazione e/o non utilizzo, la griglia a gas deve essere controllata per verificare la presenza di perdite di gas e ostruzioni del fornello prima dell'uso. Vedere le istruzioni in questo manuale di istruzioni per le procedure corrette.
 30. Una ricarica / bombola di alimentazione del gas ammaccata o arrugginita può essere pericolosa e deve essere controllata dal fornitore del gas. Non utilizzare una ricarica / bombola di alimentazione del gas con una valvola danneggiata.
 31. Non utilizzare o conservare questo elettrodomestico in aree con un alto contenuto di sale (ambiente marino) o un'area con fumi caustici o liquidi (come una piscina domestica), poiché queste sostanze chimiche possono causare il deterioramento dei materiali dell'apparecchio (e invalidare la garanzia).
 32. Non eseguire personalmente interventi di assistenza sul collettore del gas del barbecue: questo deve essere eseguito esclusivamente da tecnici autorizzati.
 33. Non usare carbone, bricchette o pietra lavica in questo apparecchio.
 34. Non posizionare la griglia su vetro o una superficie combustibile.
 35. L'uso di alcol, farmaci con obbligo di prescrizione medica, farmaci senza prescrizione medica o droghe illegali può compromettere la capacità del consumatore di assemblare, spostare, conservare o utilizzare l'apparecchio in modo corretto e sicuro.
 36. Questo apparecchio non è destinato e non dovrebbe mai essere usato come riscaldatore.
 37. Non allargare l'orifizio della valvola o le porte del fornello durante la pulizia della valvola o del fornello.
 38. Non costruire questo apparecchio in nessuna costruzione incorporata o scorrevole. Ignorare questa avvertenza potrebbe causare un incendio o un'esplosione che può danneggiare la proprietà e causare gravi lesioni personali o morte.

2. Disegni e grafica delle istruzioni del prodotto

Disegno (i) dell'assieme e elenco delle parti, **fare riferimento alle immagini 1 e 2 a pagina 3.**

1.	Cinghia	11.	Base
2.	Clip per cintura (2x)	12.	Accenditore
3.	Griglie (2x)	13.	Griglie di chiusura a chiave (2x)
4.	Assemblare le griglie con gancio (4x)	14.	Punti scintilla dell'accenditore (2x)
5.	Manici (2x)	15.	Fornelli (2x)
6.	Protezioni della griglia (2x)	16.	Connettori rapidi maschi (2x)
7.	Manopole di controllo (2x)	17.	Connettori rapidi femmine (2x)
8.	Gocciolatoi (2x)	18.	Tube del gas
9.	Piede	19.	Regolatore del gas
10.	Manopole di bloccaggio (2x)		

Le immagini di istruzioni 3 - 27 per il funzionamento sono disponibili da pagina 4 a pagina 9. Le relative istruzioni sono disponibili anche nella sezione "Istruzioni per l'uso" nel manuale.

3. Collegamenti e regolatore del gas

Collegamento di una ricarica di gas monouso

Il prodotto è configurato per ricariche di gas monouso conformi alla norma EN417 e dispongono di una connessione a vite come mostrato nell'immagine sotto. Le ricariche dovrebbero contenere gas butano. Si tratta di ricariche di gas di tipo comune che possono essere reperite presso quasi tutti i rivenditori al dettaglio esterni in tutto il mondo.

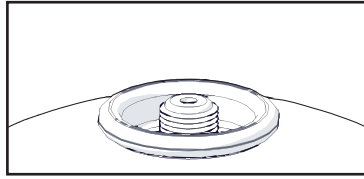


Immagine EN417 (Valvola Lindal)

Quando si collega o si cambia la ricarica del gas;

- Controllare se i fornelli sono spenti e entrambe le manopole di controllo sono in posizione "O", prima di scollegare la ricarica del gas, **immagine A.**
- Smontare con cura la ricarica vuota, se applicabile, dal regolatore del gas avvitandola in senso orario, **immagine A.**
- Controllare se la guarnizione del regolatore del gas è in posizione e buone condizioni, **immagine B**
- Controllare se i sigilli dei connettori rapidi sono a posto e in buone condizioni, **immagine C.**
- Montare una nuova ricarica sul regolatore del gas avvitandola in senso antiorario, **immagine D.** Eseguire quest'operazione sempre all'aperto e lontano dalle persone.
- Accertarsi che non vi siano perdite di gas, vedere "Procedura di rilevamento delle perdite".
- Se tutto sembra a tenuta stagna e collegato bene, è possibile utilizzare nuovamente l'apparecchio.

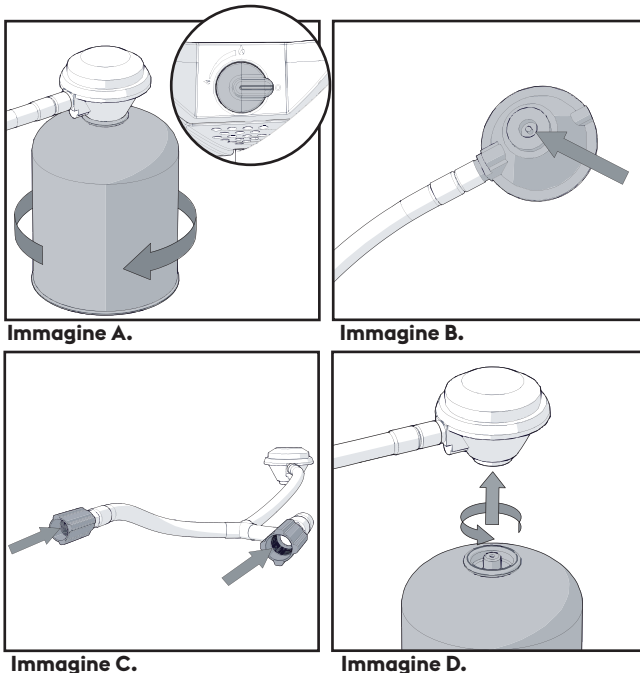


Immagine A.

Immagine B.

Immagine C.

Immagine D.

Prima dell'uso assicurarsi che la valvola e il collegamento a vite non siano danneggiati! Verificare inoltre che le guarnizioni (tra l'apparecchio e il contenitore del gas) siano in posizione e in buone condizioni prima di collegarle al serbatoio del gas.

NomadiQ raccomanda di usare il componente di tubo flessibile del gas fornito con ricariche di gas monouso come mostrato sopra. Quando si pensa di collegare forniture di gas alternative, si prega di contattare il nostro servizio e assistenza post-vendita per ulteriore consulenza.

Ulteriori istruzioni e suggerimenti relativi alla fornitura e al collegamento del gas.

- Scollegare la ricarica se è vuota
- Scollegare la ricarica se la griglia viene conservata in un garage o in un'altra area chiusa
- Scollegare la ricarica se la griglia viene trasportata.
- Evitare di piegare il tubo.
- Assicurarsi che l'alimentazione del gas sia posizionata su una superficie stabile e impedire che il tubo flessibile sia attorcigliato.
- Qualsiasi parte sigillata dal produttore non deve essere modificata dall'utente.
- Qualsiasi modifica dell'apparecchio potrebbe essere pericolosa.
- Le forniture di gas, in particolare le ricariche, potrebbero raffreddarsi durante l'uso e possono persino mostrare la formazione di ghiaccio all'esterno della fornitura. Questo fenomeno è abbastanza comune, ma potrebbe anche influenzare le prestazioni finali della griglia. Posizionare l'alimentazione del gas in uno strato d'acqua, mantenendo la parte superiore della fornitura sufficientemente al di sopra del livello dell'acqua, può prevenire questa situazione.

Procedura di rilevamento perdite

Assicurarsi che le manopole dell'apparecchio siano impostate sullo "O" e se applicabile, aprire la valvola della fornitura/regolatore del gas. Verificare la presenza di perdite tra le connessioni spazzolando con una soluzione di mezzo detergente liquido e metà acqua. Se è presente una perdita, compaiono delle bolle (o si sente un sibilo). Le connessioni di riserraggio possono generalmente riparare una giunzione che perde. È inoltre necessario controllare il tubo del gas e il collegamento alla bombola del gas. Se non è possibile risolvere una perdita, non procedere. Contattare il Servizio e Assistenza post-vendita per ulteriore consulenza.

AVVERTENZA!

NON USARE FIAMME LIBERE PER LOCALIZZARE LE PERDITE DI GAS. IN CASO DI PERDITA CONTATTARE UN INSTALLATORE DI GAS AUTORIZZATO.

PRIMA DI OGNI UTILIZZO, CONTROLLARE IL TUBO DEL GAS PER RILEVARE CREPE, TAGLI, INCISIONI O ABRASIONI. SE IL TUBO È DANNEGGIATO IN QUALSIASI MODO, NON USARLO. SOSTITUIRE IL TUBO DEL GAS UTILIZZANDO UN TUBO DI SOSTITUZIONE DI NOMADIQ.

inoltre che le guarnizioni (tra l'apparecchio e il contenitore del gas) siano in posizione e in buone condizioni prima di collegarle al serbatoio del gas.

4. Instruction for use

Please carefully follow the instructions below in combination with the reference visuals shown on **page 4 to 9**.

4. Istruzioni per l'uso

Seguire attentamente le istruzioni di seguito in combinazione con le immagini di riferimento mostrate a **pagina 3 a 8**.

4.1 Preparazione per l'uso

Passaggio 1: Rimuovere la cinghia, **immagine 3**

Passaggio 2: Rimuovere la custodia protettiva. (Questo passaggio è facoltativo, in quanto dipende dal fatto che l'apparecchio sia stato fornito con questo accessorio.)

Passaggio 3: Aprire il primo meccanismo di blocco aprendo il piede sotto la base, **immagine 4**

Passaggio 4: Aprire entrambe le manopole di blocco su ciascun lato del prodotto, **immagine 5**

Passaggio 5: Le protezioni della griglia vengono rilasciate e possono essere estratte e aperte, **immagine 6 e 7**

Passaggio 6: Chiudere le manopole di blocco su entrambi i lati della griglia, **immagine 8**

Passaggio 7: Installare i gocciolatoi nel piedino dell'apparecchio, **immagine 9**

Passaggio 8: Assemblare i connettori rapidi del gruppo tubo del gas su ciascuna protezione della griglia, **immagine 10 e 11**

Passaggio 9: Collegare l'alimentazione del gas al regolatore del gas, assicurarsi che le manopole di controllo sul prodotto siano accese su "O", **immagine 12**

Per ulteriori istruzioni relative alla connessione del gas (fornitura), si prega di consultare anche la manuale.

4.2 Durante il funzionamento

Passaggio IO: Aprire la valvola impostando la manopola di controllo sull'impostazione più alta, attendere alcuni secondi e premere l'accenditore sul lato della base del prodotto, **immagine 13 e 14**.

Questo passaggio può essere applicato e controllato individualmente per ogni protezione della griglia.

Passaggio II: Controllare la fiamma e la temperatura del fornello regolando la manopola di controllo, **immagine 15**

Per ulteriori istruzioni, consultare anche le "Istruzioni per l'illuminazione" a pagina 48 di questo manuale.

Suggerimento e suggerimenti "durante il funzionamento"

- Un leggero strato di olio aiuterà a dorare il cibo in modo uniforme e a evitare che si attacchi alle griglie. Spruzzare o spazzolare sempre l'olio sugli ingredienti, ma non direttamente sulla griglia durante l'uso.

- Le condizioni di griglia potrebbero richiedere la regolazione delle manopole di controllo per ottenere le temperature di griglia corretta.

- Quando si utilizza una salsa o una marinata con un alto contenuto di zucchero o altri ingredienti che bruciano facilmente basta spazzolarlo sul cibo durante gli ultimi 5 o 10 minuti di cottura.

- Rimuovere il grasso in eccesso da costole, arrosti e bistecche. Meno grassi facilitano la pulizia e prevengono fiammate indesiderate.

- Accertarsi sempre che le protezioni della griglia e i gocciolatoi siano puliti prima dell'uso

Per ulteriori "consigli e suggerimenti" durante il funzionamento della visita dell'apparecchio

www.nomadiqbbq.com

4.3 Dopo l'utilizzo

Passaggio I2: Spegner l'apparecchio chiudendo la valvola e ruotando le manopole di controllo sull'impostazione "O", **immagine 16**

Passaggio I3: Lasciare raffreddare l'apparecchio per 10-15 minuti!

Passaggio I4: Smontare l'alimentazione del gas e rimuovere il gruppo del tubo del gas, **immagine 17**

Passaggio I5: Rimuovere e pulire i gocciolatoi

Passaggio I6: Rimuovere le griglie e pulire l'interno delle protezioni e delle grate con un panno morbido per la pulizia/un tovagliolo monouso, **immagine 18 e 19**

Passaggio I7: Montare le griglie, assicurarsi che queste siano posizionate correttamente sopra i 2 ganci e bloccate

facendo scorrere le griglie sotto le chiusure (situate vicino l cardine), **immagine 20**

Passaggio I8: Aprire le manopole di blocco su ciascun lato dell'apparecchio, **immagine 21**

Passaggio I9: Chiudere le protezioni ruotandole indietro sotto la base dell'apparecchio, **immagine 22 e 23**

Passaggio 20: Chiudere le manopole di blocco su ciascun lato dell'apparecchio, **immagine 24**

Passaggio 21: Chiudere il piede ruotandoli indietro sotto la base dell'apparecchio, **immagine 25**

Passaggio 22: Montare la cinghia, **immagine 26**

Facoltativamente, montare la custodia protettiva prima del "Punto 22".

... e si è nuovamente pronti!

5. Risoluzione di problemi

IL FORNELLO NON SI ACCENDERÀ QUANDO SI USA L'ACCENDITORE

La valvola non è ON / Aperta -> Attiva valvola / Apri valvola.

Il tubo del gas e/o l'alimentazione del gas non sono installati correttamente -> Riassemblare l'alimentazione del gas, il tubo del gas e i connettori rapidi.

La ricarica / bombola del gas è scarsa o vuota -> Sostituire con una fornitura completa di gas.

L'accenditore non si accende -> Rimuovere le griglie e pulire con cura i punti di scintille con uno spazzolino.

L'accenditore non si accende -> Aprire i blocchi laterali e spostare entrambe le protezioni della griglia su un lato. Controllare visivamente che i cavi al punto di accensione o dal telaio non siano stati rotti o scollegati.

L'iniezione è bloccata -> Contattare il Servizio e Assistenza post-vendita per ulteriore consulenza

LA FIAMMA DEL FORNELLO È IRREGOLARE

Il fornello è bloccato -> Rimuovere le grate e pulire accuratamente i fori dei fornelli con uno spazzolino da denti "duro".

La fiamma sta bruciando all'interno del fornello (suono sibilante) -> Spegner il fornello/l'apparecchio, lasciare che si raffreddi per alcuni minuti e riaccendere.

L'iniettore è parzialmente bloccato -> Contattare Servizio e Assistenza post-vendita per ulteriore consulenza.

PERDITE DI GAS DALLE CONNESSIONI

Le connessioni sono allentate -> Stringere le connessioni allentate (sia i connettori rapidi sia la fornitura del regolatore/gas).

Controllare anche la "Procedura di rilevamento delle perdite" nella sezione "Collegamenti e regolatore del gas" in questo manuale o contattare il Servizio e Assistenza post-vendita per ulteriore consulenza

6. Pulizia e manutenzione

Pulizia esterna

Prima di pulire l'esterno dell'apparecchio, assicurarsi che l'apparecchio si sia raffreddato e sia sicuro toccarlo. Le superfici verniciate e in plastica possono essere pulite usando un detergente o un prodotto per la pulizia domestico delicato e un panno per la pulizia a secco (non usare spugne abrasive o detersivi aggressivi). Si consiglia di testare prima i detersivi su una piccola sezione dell'apparecchio. Non utilizzare MAI diluenti per vernici o solventi simili per la pulizia e versare MAI acqua fredda su superfici calde. Assicurarsi che tutte le superfici siano asciugate accuratamente prima di coprire e conservare il prodotto.

Pulizia interna

Prima di pulire le parti interne del barbecue, assicurarsi che l'apparecchio si sia raffreddato completamente e sia sicuro da toccare. L'interno può essere pulito usando un po' d'acqua, un detergente delicato e una spugna morbida o un asciugamano per la pulizia. Le superfici rivestite antiaderenti (all'interno delle protezioni della griglia) devono essere pulite accuratamente con un asciugamano per la pulizia leggermente umido. Per le aree difficili da pulire, utilizzare un po' di bicarbonato di sodio su una spugna umida e/o una spazzola morbida. Le griglie con rivestimento antiaderente possono essere prelevate e pulite facilmente sotto il rubinetto con acqua e detersivi delicati. Successivamente, tutte le parti e la superficie devono essere asciugate con un panno morbido e asciutto.

AVVERTENZA! I punti scintilla posizionati nella griglia vicino al fornello sono affilati, prestare attenzione durante la pulizia per evitare lesioni.

Nota: le superfici rivestite antiaderenti, come le griglie, si colorano se il cibo viene bruciato nelle superfici. Non utilizzare detersivi abrasivi o attrezzature affilate e/o rigide, come utensili da cucina in metallo o spazzole, su queste superfici in quanto potrebbero danneggiare questo tipo di rivestimenti!

Pulizia approfondita e manutenzione annuale

Per una pulizia approfondita è possibile rimuovere le protezioni per pulire occasionalmente la parte interna della base. Seguire attentamente le istruzioni di seguito in combinazione con le immagini di riferimento mostrate a **pagina 9**.

1. Rilasciare le protezioni della griglia seguendo i passaggi da 1 a 4 come indicato nella sezione "Istruzioni per l'uso". Estrarre entrambe le protezioni della griglia e capovolgerle delicatamente entrambe sul punto finale da un lato, **immagine 28**
2. Scollegare con cura entrambi i fili dall'accenditore, situato nella parte inferiore della base, **immagine 29**
3. Riposizionare entrambe le protezioni della griglia in posizione verticale e farle scorrere a metà della base. Inclinare le protezioni della griglia lateralmente in modo che i perni di guida vengano rilasciati dalla base, **immagine 30**
4. Rilasciare le protezioni della griglia ancora inclinate in un movimento verticale fuori dalla base. La superficie interna della base e la superficie esterna delle protezioni della griglia sono ora accessibili per la pulizia, **immagine 31**
5. Dopo la pulizia, le protezioni della griglia possono essere riposizionate nella base seguendo i passaggi precedenti, viceversa. Per evitare danni, assicurarsi che entrambi i perni di guida delle protezioni della griglia siano posizionati correttamente nelle apposite fessure di guida nella base prima di farle scorrere nella base.

Pulizia e manutenzione del fornello.

Si consiglia vivamente di ispezionare e pulire il tubo del fornello almeno una volta all'anno, per mantenere la griglia a gas efficiente e funzionante in modo sicuro. Per rimuovere il fornello per una pulizia e un'ispezione approfondite, seguire attentamente le istruzioni seguenti in combinazione con le immagini di riferimento mostrate a **pagina 9**.

Seguire anche questi passaggi se non è visibile un motivo di fiamma irregolare.

1. Assicurarsi che la fornitura di gas sia chiusa e che la griglia a gas sia raffreddata adeguatamente. Rimuovere le 2 viti al centro del fornello, usando un cacciavite a croce e sfilare delicatamente il fornello dalla protezione della griglia, **immagine 32**
2. Bisogna considerare le seguenti informazioni durante l'ispezione e la pulizia, **immagine 33**:
 - A causa dell'uso ripetuto della griglia, le aperture del fornello possono sporcarsi nel tempo. Le porte sporche e bloccate possono limitare il flusso di gas che può causare situazioni pericolose.
 - Ispezionare l'interno del tubo del fornello con una torcia elettrica per determinare se è visibile un'ostruzione che limiterà il flusso di gas alle aperture del fornello.

Se sono visibili ostruzioni all'interno o all'esterno, pulire l'area con una spazzola d'acciaio o un filo d'acciaio. Assicurarsi che tutte le aree bloccate siano pulite prima di reinstallare il fornello nella protezione della griglia.

Per l'installazione o la sostituzione del fornello, rimetterlo nella griglia. Assicurarsi che il tubo sia posizionato correttamente sopra l'orifizio del gas e fissare le 2 viti.

Archiviazione

Quando l'apparecchio non è in uso, la valvola della bombola deve essere spenta, l'apparecchio e la bombola insieme devono essere immagazzinati all'aperto in un'area ben ventilata. Tuttavia è permesso conservare l'apparecchio (ma non la bombola) al chiuso. Assicurarsi che l'apparecchio sia pulito bene, soprattutto le griglie, prima di riporlo. Se la bombola del gas è scollegata, sostituire la spina o il cappuccio sull'uscita della valvola, se disponibile.

Conservazione prolungata

Dopo la conservazione prolungata, si consiglia di pulire e controllare il fornello e l'alimentazione del gas, seguendo le istruzioni riportate di seguito.

Fornello

Spazzolare la parte esterna dei fornelli con una spazzola rigida, ad esempio uno spazzolino da denti "duro", per rimuovere macchie e sporco. Fare attenzione a non danneggiare i punti scintilla dell'accenditore.

Fornitura e connessione del gas

1. Ispezionare il tubo del gas per eventuali deterioramenti e sostituirlo se necessario.
2. Verificare perdite nel circuito del gas e rimediare a qualsiasi risultato trovato, vedere anche la "procedura di rilevamento delle perdite" nella sezione Collegamenti e regolatore del gas di questo manuale.
3. Controllare se le guarnizioni del tubo del gas (tra l'apparecchio e il contenitore del gas) sono in posizione e in buone condizioni, anche prima di collegare un (nuovo) contenitore del gas. Queste tenute si trovano nei connettori rapidi e nel regolatore del gas; la posizione esatta è inoltre disponibile seguendo le immagini a pagina 42, capitolo "Collegamenti e regolatori del gas". Se sembra che i sigilli debbano essere sostituiti, contattare il nostro Servizio e Assistenza post-vendita per ulteriori consigli e assistenza.

7. Servizio e assistenza post-vendita

Dettagli di contatto

Servizio clienti di nomadiQ Europe
+31 (0) 85 877 02 92

E-mail: questions@nomadiqbbq.com

Oppure compila il modulo di contatto online: www.nomadiqbbq.com

8. Garanzia

Questa è la garanzia di nomadiQ fornita senza alcun costo aggiuntivo. Contiene le informazioni necessarie per la riparazione del prodotto nell'improbabile eventualità di un guasto o di un difetto.

Ai sensi delle leggi applicabili, il cliente ha diversi diritti nel caso in cui il prodotto sia difettoso. Tali diritti comprendono prestazioni o sostituzioni supplementari, riduzione del prezzo di acquisto e indennizzo. Nell'Unione europea, ad esempio, si tratterebbe di una garanzia legale di due anni a partire dalla data di consegna del prodotto. Questi e altri diritti legali rimangono inalterati da questa clausola di garanzia. In effetti, questa garanzia concede diritti aggiuntivi al proprietario che sono indipendenti dalle disposizioni di garanzia previste dalla legge.

Garanzia di nomadiQ

nomadiQ garantisce all'acquirente del prodotto (o nel caso di un regalo o di una situazione promozionale, la persona per la quale è stato acquistato come regalo o oggetto promozionale), che il prodotto è privo di difetti di materiale e lavorazione per il periodo del tempo specificato di seguito quando assemblato e utilizzato in conformità al manuale di istruzioni allegato.

In normali condizioni di utilizzo e manutenzione di case unifamiliari o appartamenti privati, nomadiQ si impegna, nell'ambito della presente garanzia, a riparare o sostituire parti difettose entro i termini, le limitazioni e le esclusioni applicabili elencati di seguito. **NELLA MISURA CONSENTITA DALLA LEGGE APPLICABILE, QUESTA GARANZIA SI ESTENDE SOLO ALL'ACQUIRENTE ORIGINALE E NON È TRASFERIBILE AI SEGUENTI TITOLARI, AD ECCEZIONE NEL CASO DI REGALI E ARTICOLI PROMOZIONALI COME PRECEDENTEMENTE INDICATO SOPRA.**

Responsabilità del proprietario in virtù della presente garanzia

Per garantire una copertura della garanzia senza problemi, è importante registrare il prodotto nomadiQ online all'indirizzo www.nomadiQbbq.com, o di tale sito Web specifico del paese a cui il proprietario può essere reindirizzato. Si prega di conservare anche la ricevuta di vendita originale e/o la fattura. La registrazione del prodotto conferma la copertura della garanzia e fornisce un collegamento diretto tra voi e nomadiQ nel caso in cui abbiamo bisogno di contattarvi. La garanzia di cui sopra si applica solo se il proprietario si prende ragionevole cura del prodotto seguendo tutte le istruzioni come indicato nel manuale di istruzioni allegato, a meno che il proprietario non possa dimostrare che il difetto o l'errore è indipendente dal mancato rispetto degli obblighi sopra menzionati. Se si vive in una zona costiera o il prodotto si trova vicino a una piscina, la manutenzione include il lavaggio e il risciacquo regolari delle superfici esterne.

Gestione della garanzia / Esclusione di garanzia

Se si ritiene di avere una parte coperta da questa garanzia, vi preghiamo di contattare il Servizio e Assistenza post-vendita di nomadiQ

nomadiQ provvederà, previa verifica, a riparare o sostituire (a sua discrezione) una parte difettosa coperta da questa garanzia. Nel caso in cui la riparazione o la sostituzione non siano possibili, NomadiQ può scegliere (a sua discrezione) di sostituire l'apparecchio in questione con un nuovo apparecchio. nomadiQ potrebbe chiedervi di restituire le parti per l'ispezione. Questa GARANZIA decade se ci sono danni, deterioramenti, scolorimenti e/o ruggine per i quali nomadiQ non è responsabile a causa di:

- abuso, uso improprio, alterazione, modifica, applicazione errata, atti vandalici, negligenza, montaggio o installazione improprie e mancata esecuzione della normale e ordinaria manutenzione;
- Insetti (come i ragni) e roditori (come gli scoiattoli), inclusi ma non limitati a danni ai tubi del fornello e/o tubi del gas;
- Esposizione all'aria salata e/o fonti di cloro come piscine e vasche idromassaggio/centri termali;
- Condizioni meteorologiche avverse quali grandinate, uragani, terremoti, tsunami o mareggiate, tornado e forti tempeste.

L'uso e/o l'installazione di parti sul vostro prodotto che non sono parti originali di nomadiQ annullerà questa garanzia e qualsiasi danno risultante non è coperto da questa garanzia. Qualunque conversione di un apparecchio non autorizzato da nomadiQ e eseguito da un tecnico dell'assistenza autorizzato da NomadiQ renderà nulla la garanzia.

PERIODI DI GARANZIA DEL PRODOTTO

Base e protezioni della griglia:

5 anni, nessuna ruggine/bruciatura
(2 anni di vernice escluso sbiadimento o scolorimento)

Tubi per fornelli in acciaio inossidabile:

5 anni, nessuna ruggine/bruciatura Griglie
in alluminio pressofuso:

5 anni, nessuna ruggine/bruciatura

Componenti di plastica

5 anni, escluso lo scolorimento o scolorimento

Tutte le parti rimanenti:

2 anni

ESONERI

OLTRE ALLA GARANZIA E DA ESCLUSIONI DI RESPONSABILITÀ COME DESCRITTO NELLA PRESENTE DICHIARAZIONE DI GARANZIA, NON ESISTE ESPLICITAMENTE NESSUN ULTERIORE GARANZIA O DICHIARAZIONE VOLONTARIA DI RESPONSABILITÀ FORNITA QUI CHE SIA OLTRE LA RESPONSABILITÀ STATUTARIA APPLICABILE A NOMADIQ. LA PRESENTE DICHIARAZIONE DI GARANZIA INOLTRE NON LIMITA O ESCLUDE SITUAZIONI O RECLAMI IN CUI NOMADIQ HA LA RESPONSABILITÀ OBBLIGATORIA COME PRESCRITTO DALLO STATUTO.

NESSUNA GARANZIA SI APPLICHERÀ DOPO IL PERIODO APPLICABILE DI QUESTA GARANZIA. NESSUN'ALTRA GARANZIA FORNITA DA QUALSIASI PERSONA, COMPRESO UN COMMERCIANTE O DAL RIVENDITORE, RISPETTO A QUALSIASI PRODOTTO (COME QUALSIASI "GARANZIA ESTESA"), VINCOLERÀ NOMADIQ. IL RIMEDIO ESCLUSIVO DI QUESTA GARANZIA È LA RIPARAZIONE O LA SOSTITUZIONE DELLA PARTE O DEL PRODOTTO. IN NESSUN CASO IN VIRTÙ DELLA PRESENTE GARANZIA VOLONTARIA, IL RIMBORSO DI QUALSIASI TIPO SARÀ MAGGIORE DELL'IMPORTO DEL PREZZO DI ACQUISTO DEL PRODOTTO NOMADIQ VENDUTO. L'UTENTE SI ASSUME IL RISCHIO E LA RESPONSABILITÀ PER PERDITE, DANNI O PREGIUDIZIO PER SE STESSO E LA SUA PROPRIETÀ E/O NEI CONFRONTI DI TERZI E DELLA RISPETTIVA PROPRIETÀ DERIVANTI DALL'USO ERRATO O ILLECITO DEL PRODOTTO O DALLA MANCATA OSSERVANZA DELLE ISTRUZIONI FORNITE DA NOMADIQ NEL MANUALE DI ISTRUZIONI PER ALLEGATO. LE PARTI E GLI ACCESSORI SOSTITUITI IN QUESTA GARANZIA SONO GARANTITI SOLO PER IL SALDO DEL SUDDETTO PERIODO DI GARANZIA ORIGINALE DI CUI SOPRA. QUESTA GARANZIA SI APPLICA SOLO ALLA CASA UNIFAMILIARE O ALL'APPARTAMENTO PRIVATO E NON È APPLICABILE AGLI APPARECCHI NOMADIQ UTILIZZATI IN AMBIENTI COMMERCIALI, COMUNI O MULTI-UNITÀ COME RISTORANTI, HOTEL, RESORT O PROPRIETÀ DI NOLEGGIO. NOMADIQ POTREBBE CAMBIARE PERIODICAMENTE IL DESIGN DEI SUOI PRODOTTI. NESSUNA DISPOSIZIONE DELLA PRESENTE GARANZIA È CONSIDERATA UN OBBLIGO PER NOMADIQ DI INCORPORARE TALI CAMBIAMENTI DI DESIGN IN PRODOTTI PRECEDENTEMENTE FABBRICATI, NÉ TALI CAMBIAMENTI DEVONO LASCIAR PRESUMERE CHI DESIGN PRECEDENTI FOSSERO DIFETTOSI.


9. Specifiche tecniche e istruzioni di illuminazione

Produttore: nomadiQ	Paesi di destinazione / codice/i nazionali:
Nome del prodotto: Outdoor gas grill	(Paesi UE) BE, BG, CZ, DK, DE, EE, EL, ES, FR, HR, IT, CY, LV, LT, LU, HU, MT, NL, AT, PL, RO, SI, SK, FI, SE, UK
Numero del modello: CQ_BBQ_OO1	(Paesi EFTA) CH, IS, LI, NO
Categoria del gas: Butano a pressione diretta	
Pressione di uscita del regolatore: 29 mbar	Questo dispositivo deve essere utilizzato con cartuccia a butano a pressione diretta (ad esempio, Primus Power Gas, Optimus Gas, MSR Isopro, GoSystem Powersource, Cadac CA448) queste cartucce devono essere conformi alla norma EN417. Potrebbe essere pericoloso tentare di montare altri tipi di contenitori per gas.
Ingresso di calore totale: 3,2 kW (233 gr/h)	
Dimensione dell'ugello: 0,64 mm	
Paese d'origine: Fabbricato nella RPC	CE O359/18 Pin O359/CT/O3507
Gloucester Road, Wan Chai, HongKong, China	

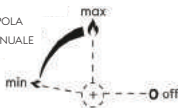
ISTRUZIONI DI ACCENSIONE - PER TUTTI I FORNELLI

LEGGERE ATTENTAMENTE LE ISTRUZIONI PRIMA DI ACCENDERE.

⚠ AVVERTENZA: NON INCLINARSI SULLA GRIGLIA QUANDO È ACCESA.

1. Installare l'apparecchio e avvitare entrambi i tubi flessibili del gruppo del tubo del gas all'apparecchio (fare riferimento al manuale per la corretta installazione).
2. Ruotare la manopola di controllo su entrambi i lati in posizione "0".
3. Installare la bombola di gas sul regolatore del gas collegato al gruppo del tubo flessibile.
4. Premere e ruotare la manopola di controllo in senso antiorario fino all'impostazione massima .
5. Attendere 5 secondi e premere l'accenditore, il fornello dovrebbe accendersi.

SE SI ACCENDE DOPO ALCUNI TENTATIVI, RUOTARE LA MANOPOLA DI CONTROLLO IN POSIZIONE "0" E FARE RIFERIMENTO AL MANUALE PER LA RISOLUZIONE DEI PROBLEMI.



6. Ripetere i passaggi 4 e 5 di cui sopra per l'altro fornello

Gebruiksaanwijzing

nomadiQ mobiele gasbarbecue

Bedankt!

Bedankt dat u hebt gekozen voor nomadiQ, 's werelds eerste echte mobiele gasbarbecue. We hopen dat de instructies uit deze gebruiksaanwijzing van pas komen en goed te volgen zijn. Binnen enkele minuten leert u hoe u het product correct gebruikt voor de beste resultaten. Daarna kunt u (bijna) overal barbecueën!

We raden aan om na het lezen van de instructies deze handleiding op een veilige plaats te bewaren voor toekomstig gebruik.

Met vriendelijke groet, Team nomadiQ

Inhoudsopgave

1. Waarschuwingen & veiligheidsinstructies	pagina 50
2. Tekeningen & instructies	pagina 51
3. Gasaansluitingen & gasregelaar(s)	pagina 51
4. Instructies voor Gebruik;	pagina 53
4.1 Vóór gebruik	
4.2 Tijdens gebruik	
4.3 Na gebruik	
5. Problemen oplossen	pagina 54
6. Reiniging & onderhoud	pagina 55
7. Klantenservice & aftersales	pagina 56
8. Garantie	pagina 56
9. Technische specificaties & Ontstekingsinstructies	pagina 58

I. Waarschuwingen & veiligheidsinstructies

WAARSCHUWING!

- LEES EERST DE GEBRUIKSAANWIJZING ZORVULDIG DOOR VOORDAT U DIT APPARAAT GAAT GEBRUIKEN
- GEBRUIK HET APPARAAT NIET BINNENSHUIS. DIT APPARAAT IS UITSLUITEND BEDOELD VOOR GEBRUIK BUITENSHUIS
- PLAATS GEEN VOORWERPEN OP OF TEGEN DIT APPARAAT
- BEWAAR OF GEBRUIK IN DE DIRECTE OMGEVING VAN DIT APPARAAT GEEN CHEMISCHE STOFFEN OF ONTVLAMBARE MATERIALEN EN SPRAY GEEN AËROSOLEN
- LEES EERST DE GEBRUIKSAANWIJZING ZORVULDIG DOOR OM BEKEND TE RAKEN MET HET PRODUCT EN VOOR DEZE AAN TE SLUITEN OP EEN GAS CARTRIDGE/ FLES.

GEVAAR!

ALS U GAS RUIKT:

- SLUIT DE GASTOEVOER AF.
- DOOF OPEN VUUR.
- ALS U GAS BLIJFT RUIKEN, BLIJF DAN UIT DE BUURT VAN HET APPARAAT EN BEL DIRECT UW GASLEVERANCIER OF DE BRANDWEER.

Lekkend gas kan brand of een explosie veroorzaken. Dit kan leiden tot ernstig lichamelijk letsel, de dood of schade aan eigendommen.

WAARSCHUWING!

CONTROLEER VOOR U DE BARBECUE GEBRUIKT OF DE BARBECUE LEKT DOOR DE INSTRUCTIES UIT DEZE HANDLEIDING OP TE VOLGEN. DOE DIT OOK ALS DE DEALER DE GASTOEVOERHEEFT AANGESLOTEN.

Algemene waarschuwingen en veiligheidsinstructies:

1. Neem alle waarschuwingen en veiligheidsinstructies in acht wanneer u dit apparaat gebruikt.
2. Bewaar deze gebruiksaanwijzing voor toekomstig gebruik.
3. Gebruik de barbecue uitsluitend wanneer alle onderdelen zijn bevestigd. Dit product moet correct in elkaar gezet worden. Volg de instructies nauwkeurig op.
4. Zorg dat het product op een stabiel (horizontaal) en vlak oppervlak is geplaatst dat groot en sterk genoeg is om het product te dragen en bestand is tegen temperaturen van 60°C boven de omgevingstemperatuur.
5. Houd het product uit de buurt van ontvlambare materialen. Houd ontvlambare materialen op een afstand van meer dan 250 mm van de zijkant en achterkant van het product en een afstand van meer dan 1500 mm boven het kookoppervlak van de barbecue.
6. Leun niet over het product als u de barbecue aansteekt of gebruikt.
7. Kinderen mogen dit apparaat niet gebruiken. Bereikbare onderdelen van de barbecue kunnen zeer heet worden. Houd jonge kinderen, ouderen en huisdieren op een veilige afstand wanneer u het product gebruikt.
8. Let op wanneer u het apparaat gebruikt. Het apparaat is heet tijdens en na gebruik en mag nooit zonder toezicht worden achtergelaten of worden verplaatst als de barbecue in werking is.
9. Draai de gaskraan dicht indien de brander uitgaat als de barbecue in werking is. Wacht enkele minuten voordat u probeert om het product opnieuw aan te steken. Volg daarbij de instructies uit deze handleiding.
10. Plaats geen barbecuedecksel of ontvlambare materialen op de barbecue wanneer deze in werking is of (nog) heet is.
11. Mensen die ontvlambare kleding, zoals nylon, dragen moeten uit de buurt van de barbecue blijven wanneer deze wordt gebruikt.
12. Verwijder alle voedingswaren van de vlam indien een plotselinge vlam ontstaat totdat de vlam krimpt.
13. Indien er een vetbrand ontstaat, draai dan de brander/het apparaat uit totdat de brand is gedoofd.
14. Deze gasbarbecue is niet bedoeld voor commercieel gebruik.
15. Verwijder de lekbakken en/of verwijderbare bakken voorzichtig. Een verkeerde behandeling van hete olie en vet kan ernstig letsel veroorzaken.
16. Het apparaat moet regelmatig grondig gereinigd worden.
17. Gebruik hittebestendig barbecuegereedschap en/of ovenwanten wanneer u de barbecue gebruikt.
18. Houd netsnoeren en de gas slang uit de buurt van het hete oppervlakken.

19. Probeer de gasregelaar, gascartridge/-fles of andere soort gasaansluiting niet te verwijderen wanneer u de barbecue gebruikt.
20. Gebruik de regelaar die met de barbecue wordt meegeleverd.
21. Gebruik enkel originele accessoires of andere originele onderdelen geleverd door nomadiQ.
22. De gasbarbecue niet gebruiken in geval van een gaslek.
23. Gebruik geen vuur om gaslekken op te sporen.
24. Gebruik uitsluitend gascartridges/-flessen met butaangas. Gebruik bij voorkeur gascartridges met een EN417-ventiel zoals in deze handleiding is weergegeven.
25. Butaangas is geen natuurlijk gas. Aanpassing van of poging tot het gebruik van natuurlijk gas in product dat werkt op butaan-/propaangas is gevaarlijk. In dit geval vervalt de garantie.
26. Bewaar geen extra (reserve) of losgekoppelde gascartridge/-fles onder of in de buurt van deze barbecue.
27. Ook al lijkt het alsof uw gascartridge/-fles leeg is, er kan altijd nog gas aanwezig zijn. Neem de juiste maatregelen bij het vervoeren en bewaren van de gascartridge/-fles.
28. Vervang de aangesloten gascartridge of -fles buiten en houd deze uit de buurt van hittebronnen.
29. Wanneer de barbecue langere tijd is opgeslagen en/of niet is gebruikt, moet gecontroleerd of er gaslekken zijn en of de brander is verstopt. Raadpleeg hiervoor de instructies uit deze gebruiksaanwijzing.
30. Een gedeukte of roestige gascartridge/-fles kan gevaarlijk zijn en moet door uw gasleverancier worden gecontroleerd. Gebruik geen gascartridges/-gasflessen met een beschadigd ventiel.
31. Dit apparaat niet gebruiken of bewaren in gebieden met een hoge zoutconcentratie (een marien milieu) of gebieden met bijtende stoffen of vloeistoffen (zoals een binnenzwembad) omdat deze stoffen de materialen van het apparaat kunnen aantasten (hierdoor vervalt de garantie).
32. Voer zelf geen onderhoud uit aan het gasspruitstuk van de barbecue. Uitsluitend erkende monteurs mogen dit onderhoud uitvoeren.
33. Gebruik geen houtskool, briketten of lavastenen.
34. Plaats de barbecue niet op een glazen of onvlambaar oppervlak.
35. Het gebruik van alcohol, geneesmiddelen op recept, geneesmiddelen zonder recept of illegale drugs kunnen het vermogen van de gebruiker om het apparaat goed en veilig te monteren, verplaatsen, bewaren of bedienen beperken.
36. Dit apparaat is niet bedoeld als verwarmingstoestel en mag niet hiervoor gebruikt worden.
37. Maak de ventiel- of branderopening niet groter wanneer u het ventiel of de brander reinigt.
38. Plaats dit apparaat niet in een inbouw- of schuifconstructie. Wanneer u deze waarschuwing niet in acht neemt kan er brand of een explosie ontstaan. Dit kan schade aan eigendommen en ernstig letsel of de dood veroorzaken.

2. Tekeningen & instructies

Montagetekening(en) & onderdelenlijst, zie afbeelding 1 & 2 op pagina 3.

1. Riem	11. Basis
2. Riemclips (2x)	12. Ontsteker
3. Roosters (2x)	13. Sluitsysteem roosters (2x)
4. Haakjes roosters (4x)	14. Contactpunten ontsteker (2x)
5. Handgrepen (2x)	15. Branders (2x)
6. Panelen (2x)	16. Snelkoppelingen male (2x)
7. Bedieningsknoppen (2x)	17. Snelkoppelingen female (2x)
8. Lekbakken (2x)	18. Aansluiting gas slang
9. Voet	19. Gasregelaar
10. Vergrendelknoppen (2x)	

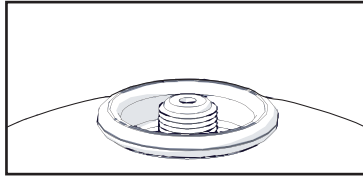
Instructies (afbeeldingen) 3 - 27 voor bediening vindt u op pagina 4 tot 9. Raadpleeg de instructies uit het onderdeel 'Gebruiksaanwijzing' van deze handleiding.

3. Gasaansluitingen & gasregelaar(s)

Een wegwerp-gascartridge aansluiten

Dit product is standaard uitgerust voor wegwerp-gascartridges die voldoen aan de EN417-norm en zijn voorzien van een schroefverbinding zoals op onderstaande afbeelding wordt getoond. De gascartridges moeten butaangas bevatten. Dit zijn gebruikelijke gascartridges die wereldwijd te koop zijn bij vrijwel alle verkoo-

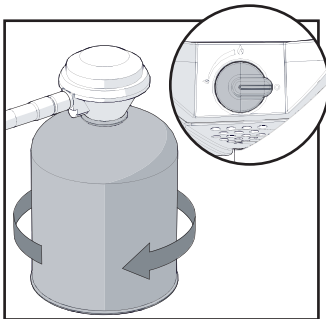
punten van outdoorartikelen.



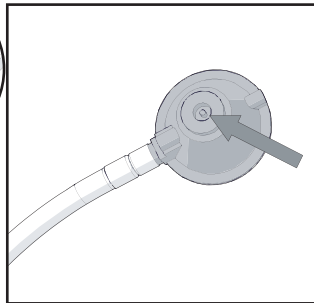
Afbeelding EN417 (Lindal gasventiel)

Bij het aansluiten of verwisselen van de gas cartridge;

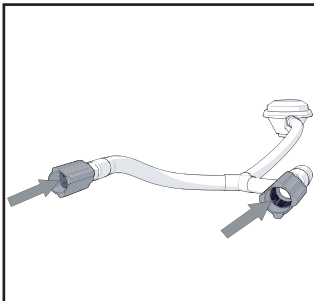
- Controleer of de branders gedoofd zijn en beide regelknoppen in de 'O'-positie staan, voordat u de gas-cartridge loskoppelt, **afbeelding A.**
- Demonteer de lege cartridge, indien van toepassing, voorzichtig van de gasregelaar door deze met de klok mee te draaien, **afbeelding A.**
- Controleer of de afdichting in de gasregelaar op zijn plaats zit en in goede staat verkeerd, **afbeelding B**
- Controleer of de afdichtingen van de snelkoppelingen op hun plaats zitten en in goede staat verkeeren, **afbeelding C.**
- Monteer een nieuwe cartridge op de gasregelaar door deze tegen de wijzers van de klok in te draaien, **afbeelding D.** Doe dit altijd buiten en uit de buurt van mensen.
- Zorg dat er geen gaslekage is, zie 'Lekdetectieprocedure'.
- Als alles luchtdicht lijkt en goed is aangesloten, kunt u het apparaat weer gebruiken.



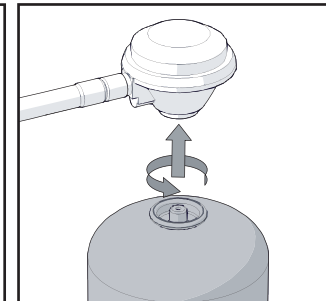
Afbeelding A.



Afbeelding B.



Afbeelding C.



Afbeelding D.

Controleer voor gebruik of het ventiel of de schroefverbinding zijn beschadigd! Controleer ook of de rubberen afdichting(en) (tussen het product en de gasvoorziening/ fles) in goede staat verkeeren, voor het product aan te sluiten op een gasfles.

nomadiQ raadt aan om de meegeleverde aansluiting voor de gaslang te gebruiken met bovenstaande wegwerpgascartridges. Neem contact op met onze klantenservice of aftersales voor advies wanneer u alternatieve gasaansluitingen wilt gebruiken.

Aanvullende instructies & tips met betrekking tot de gastoevoer en -aansluiting.

- Ontkoppel de gascartridge als hij leeg is.
- Ontkoppel de gascartridge als de barbecue in een garage of afgesloten ruimte wordt bewaard.
- Ontkoppel de gascartridge als de barbecue wordt vervoerd.
- De slang niet knikken.
- Zorg dat de gasfles op een stabiel oppervlak is geplaatst en voorkom dat de flexibele slang is gedraaid.
- De gebruiker mag verzegelde onderdelen niet wijzigen.
- Het product wijzigen kan tot gevaarlijke situaties leiden.
- Gasflessen, met name cartridges kunnen afkoelen tijdens gebruik. Er kan zelfs ijsvorming ontstaan aan de buitenkant van de fles. Dit is heel gebruikelijk, maar kan wel van invloed zijn op het grillen. Plaats de gasfles in een laag water en zorg dat het bovenste deel van de waterfles voldoende boven het water uitsteekt. Zo kunt u ijsvorming voorkomen.

Lekdetectieprocedure

Zorg ervoor dat de bedieningsknoppen op het apparaat op "O" staan en indien van toepassing, open de gastoevoer van de gasregelaar. Controleer op lekkende verbindingen door deze in te wrijven met een oplossing van half vloeibaar reinigingsmiddel en half water. Als er een lek aanwezig is, verschijnen er belletjes (of kunt u een sissend geluid horen). Verbindingen opnieuw aansluiten zou mogelijk het probleem kunnen verhelpen. Ook moet u de gas slang en aansluiting op de gasfles goed controleren. Als een lek niet kan worden opgelost, ga dan niet verder en neem contact op met onze Service & After-sales afdeling.

WAARSCHUWING!

GEBRUIK GEEN OPEN VUUR OM GASLEKKEN OP TE SPOREN. NEEM IN GEVAL VAN EEN LEK CONTACT OP MET EEN ERKENDE INSTALLATEUR.

CONTROLEER VOOR IEDER GEBRUIK OF DE GASLANG BARSTEN, SCHEUREN, INSNIJDINGEN OF SLIJTAGEPLEKKEN VERTOOND. GEBRUIK DE SLANG NIET ALS HIJ IS BESCHADIGD. VERVANG DE SLANG UITSLUITEND DOOR EEN RESERVESLANG VAN NOMADIQ.

4. Instructies voor Gebruik

Neem de volgende instructies en **de afbeeldingen op pagina 4 tot 9 in acht.**

4.1 Voorbereiding

Stap 1: Verwijder de riem (**afbeelding 3**)

Stap 2: Verwijder de beschermhoes. (Deze stap is optioneel, afhankelijk van of het apparaat met beschermhoes is geleverd)

Stap 3: Open het eerste sluitmechanisme door de voet onder de basis te openen (**afbeelding 4**)

Stap 4: Draai allebei de vergrendelknoppen los (**afbeelding 5**)

Stap 5: De barbecuepanelen komen los en kunnen worden uitgetrokken en geopend (**afbeelding 6 & 7**)

Stap 6: Draai beide vergrendelknoppen weer vast (**afbeelding 8**)

Stap 7: Plaats de lekbakken in de voet van de barbecue (**afbeelding 9**)

Stap 8: Bevestig de snelkoppelingen van de gas slang aan ieder barbecuepaneel (**afbeelding 10 & 11**)

Stap 9: Sluit de gasfles aan op de gasregelaar en zorg dat de bedieningsknoppen van het apparaat op 'O' staan (**afbeelding 12**)

Raadpleeg het onderdeel 'Gasaansluiting' in deze handleiding voor verdere instructies met betrekking tot de gasaansluiting.

4.2 Tijdens gebruik

Stap 10: Open het ventiel door de bedieningsknop op de hoogste stand te zetten. Wacht enkele seconden en druk aan de zijkant van de barbecue de ontsteker in (**afbeelding 13 & 14**). Deze stap kan bij beide barbecuepanelen worden toegepast en ieder paneel kan los worden bediend.

Stap 11: Draai aan de bedieningsknop om de vlam en temperatuur in te stellen (**afbeelding 15**)

Raadpleeg ook de 'Ontstekingsinstructies' op pagina 58 van deze handleiding.

Tips & Tricks voor tijdens het barbecueën

- Met een dun laagje olie worden uw etenswaren gelijkmatig gaar en plakken ze niet aan het rooster vast. Spray of breng olie aan op uw etenswaren, maar doe dit niet direct op de barbecue als deze in gebruik is.
- Gebruik eventueel de bedieningsknoppen om de juiste grilltemperatuur te bereiken.
- Als u een saus of marinade met een hoge suikerconcentratie of andere ingrediënten gebruikt die eenvoudig aanbranden, breng deze dan pas de laatste 5 tot 10 minuten van het grillen en alleen op de etenswaren aan.
- Verwijder overtollig vet van karbonades, braadvlees en steaks. Door minder vet kunt u de barbecue eenvoudig reinigen en heeft u geen last van ongewenste opflakkerende vlammen.
- Zorg dat de barbecuepanelen en lekbakken schoon zijn voordat u de barbecue gaat gebruiken.

Bezoek onze website voor meer 'Tips & Tricks': www.nomadiqbbq.com

4.3 Na gebruik

Stap 12: Zet het apparaat uit door het ventiel dicht te draaien en de bedieningsknop op 'O' te zetten (**afbeelding 16**)

Stap 13: Laat de barbecue 10 – 15 minuten afkoelen!

Stap 14: Ontkoppel de gasfles en verwijder de gasslang (**afbeelding 17**)

Stap 15: Verwijder en reinig de lekbakken

Stap 16: Verwijder de roosters en reinig de binnenkant van de barbecuepanelen met een zachte doek/keukenpapier (**afbeelding 18 & 19**)

Stap 17: Plaats de roosters terug en zorg dat ze op de juiste manier op de 2 haken zijn geplaatst en vastklemmen door de roosters onder de lipjes te schuiven (nabij het scharnier) (**afbeelding 20**)

Stap 18: Draai beide vergrendelknoppen los (**afbeelding 21**)

Stap 19: Sluit de barbecuepanelen door ze terug in de basis van de barbecue te schuiven (**afbeelding 22 & 23**)

Stap 20: Draai beide vergrendelknoppen vast (**afbeelding 24**)

Stap 21: Draai de voet terug onder de basis van de barbecue (**afbeelding 25**)

Stap 22: Plaats de riem (**afbeelding 26**)

Plaats optioneel de beschermhoes om de barbecue (vóór stap 22).

...en klaar bent u!

5. Problemen oplossen

BRANDER ONTSTEEKT NIET DOOR DE ONTSTEKER

Ventiel is dicht --> Draai het ventiel open.

Aansluiting gasslang en/of gastoevoer is niet correct aangesloten --> Sluit de gastoevoer, gasslang en snelkoppelingen opnieuw aan.

Gascartridge/gasfles is (bijna) leeg --> Sluit een nieuwe volle gasfles aan.

Ontsteker vonkt niet --> Verwijder de roosters en reinig de contactpunten voorzichtig met een tandenborstel.

Ontsteker vonkt niet --> Open de sluitsystemen aan de zijkant en verplaats beide barbecuepanelen naar één kant. Controleer of de kabels die naar de ontsteker lopen niet gebroken of ontkoppeld.

De verstuiver is geblokkeerd -->Neem contact op met onze klantenservice of aftersales voor advies.

DE VLAM VAN DE BRANDER IS ONREGELMATIG

De brander is geblokkeerd --> Verwijder de roosters en reinig de contactpunten voorzichtig met een 'harde' tandenborstel.

De vlam brandt in de brander (sissend geluid) --> Zet de brander/barbecue uit, laat hem enkele minuten afkoelen en steek hem opnieuw aan.

De verstuiver is geblokkeerd -->Neem contact op met onze klantenservice of aftersales voor advies.

GAS LEKT UIT DE VERBINDINGEN

Verbindingen zitten los --> Draai de losse verbindingen aan (de snelkoppelingen en regelaar/gasslang).

Raadpleeg ook 'Opsporing van lekken' in het onderdeel 'Gasaansluitingen & gasregelaar(s)' van deze handleiding of neem contact op met onze klantenservice of aftersales voor advies.

6. Reiniging & onderhoud

Buitenkant reinigen

Zorg dat de barbecue is afgekoeld en veilig kan worden aangeraakt voordat u de buitenkant reinigt. Gelakte en plastic onderdelen kunnen gereinigd worden met een mild reinigingsmiddel en een droge doek (gebruik geen schuursponsjes of agressieve reinigingsmiddelen). We raden aan om een reinigingsmiddel eerst op een klein oppervlak van het product te testen. Gebruik nooit verfverdunders of vergelijkbare oplosmiddelen om het product te reinigen en giet nooit koud water over hete oppervlakken. Zorg dat alle oppervlakken goed droog zijn voordat u het product afdekt en opbergt.

Binnenkant reinigen

Zorg dat de barbecue is afgekoeld en veilig kan worden aangeraakt voordat u de binnenkant reinigt. U kunt de binnenkant reinigen met water, een mild reinigingsmiddel en een zachte spons of doek. De oppervlakken met antiaanbaklaag (binnenkant van de barbecuepanelen) moeten voorzichtig gereinigd worden met een licht vochtige doek. Gebruik een natte spons en/of zachte borstel met een beetje baking soda om hardnekkig vuil te verwijderen. U kunt de roosters met antiaanbaklaag verwijderen en eenvoudig reinigen onder de kraan met water en een mild reinigingsmiddel. Alle onderdelen en oppervlakken moeten daarna afgedroogd worden met een droge, zachte doek.

WAARSCHUWING! De contactpunten in de barbecuepanelen nabij de brander zijn scherp. Wees voorzichtig tijdens het reinigen om letsel te voorkomen.

Intensief reinigen & jaarlijks onderhoud

Voor intensief onderhoud kunnen de schaaldelen worden verwijderd, zodat ook de binnenkant van de basis zo nu en dan grondig kan worden gereinigd. Volg hiervoor zorgvuldig onderstaande instructies en de begeleidende afbeeldingen op **pagina 9**.

1. Ontgrendel de schaaldelen door stappen 1 t/m 4 onder sectie "Instructies voor Gebruik" te volgen. Trek beide schaaldelen omhoog in een verticale beweging en kantel deze vervolgens naar 1 zijde, **afbeelding 28**
2. **Demonteer vervolgens eerst voorzichtig** beide connector(draden) door deze los te trekken van de ontsteking, welke gepositioneerd zijn op de bodemplaat van de basis, **afbeelding 29**
3. Kantel de schaaldelen terug in vertical positie en verwijder de gehele assemblage van schaaldelen door deze in uiterst schuine stand uit de geleiderail van de basis te nemen, **afbeelding 30**.
4. Verwijder de barbecuepanelen verticaal uit de basis. U kunt nu de binnen- en buitenkant van de barbecuepanelen en basis reinigen, **afbeelding 31**.
5. Plaats na het reinigen de barbecuepanelen terug in de basis door bovenstaande stappen te volgen (in omgekeerde volgorde). Zorg dat beide pinnen van de barbecuepanelen correct in de bijbehorende sleuven van de basis zijn geplaatst voordat u de panelen in de basis plaatst om schade te voorkomen.

Reiniging en onderhoud van de brander.

We raden sterk aan om de branderbuis minimaal één keer per jaar te controleren en te reinigen zodat u gasbarbecue goed en veilig blijft werken. Volg onderstaande instructies en de afbeeldingen op **pagina 9** om de brander(s) te verwijderen voor een uitgebreide reiniging en controle.

Volg deze stappen ook als de vlam onregelmatig brandt.

1. Zorg dat de gastoevoer is afgesloten en de gasbarbecue volledig is afgekoeld. Gebruik een kruiskopschroevendraaier om de 2 schroeven in het midden van de brander uit de barbecuepanelen te draaien en schuif de brander voorzichtig uit het barbecuepaneel (**afbeelding 32**).
2. Neem onderstaande instructies in acht tijdens de reiniging en het onderhoud (**afbeelding 33**):
 - Als u de barbecue vaak gebruikt, dan kunnen de branderopeningen na verloop van tijd vuil worden. Vuile en geblokkeerde openingen blokkeren de gastoevoer waardoor gevaarlijke situaties kunnen ontstaan.
 - Schijn met een zaklamp in de branderbuis om te controleren of de buis wordt geblokkeerd.

Als u een verstopping aan de binnen- of buitenkant opmerkt, reinig dit gedeelte dan met een staalborstel of staaldraad. Controleer of alle geblokkeerde delen schoon zijn voordat u de brander terugplaatst in het barbecuepaneel.

Plaats de brander terug in het barbecuepaneel. Zorg dat de buis over de gasopening is geplaatst en draai de 2 schroeven aan.

Opbergen

Wanneer het product niet wordt gebruikt, moet het ventiel van de gasfles dichtgedraaid worden. Berg de barbecue en de gasfles buiten op een goed eventileerde plaats op. Het is toegestaan om het product (maar niet de gasfles) binnen op te bergen. Zorg dat het product en met name de roosters goed zijn gereinigd voordat u het product opbergt. Als u de gasfles heeft losgekoppeld, plaats dan de stop of kap terug op het ventiel.

Langdurige opslag

Na langdurige opslag raden we aan om de brander en gastoevoer te reinigen en controleren volgens onderstaande instructies.

Brander(s)

Borstel de buitenkant van de borstels met een harde borstel, zoals een 'harde' tandenborstel, om vlekken en vuil te verwijderen. Zorg dat u de contactpunten van de ontsteker niet beschadigt.

Gastoevoer

1. Controleer of de gas slang slijtage vertoont en vervang hem indien nodig.
2. Controleer of er lekken zijn en verhelp deze indien nodig. Raadpleeg hiervoor de paragraaf 'Opsporing van lekken' in het onderdeel 'Gasaansluitingen & gasregelaar(s)' van deze handleiding.
3. Controleer ook of de rubberen afdichting(en) van de gas slang (tussen het product en de gasvoorziening/ fles) in goede staat verkeren, voor het product aan te sluiten op een (nieuwe) gasfles. Deze rubberen afdichtingen/ pakkingen zijn gepositioneerd in de snelsluitingen en gasregelaar, exacte locatie kan ook worden gevonden via de afbeeldingen op pagina 52, hoofdstuk "Gasaansluitingen & gasregelaar(s)". Indien blijkt dat de rubberen afdichtingen/ pakkingen toe zijn aan vervangen, contact onze Service & After-Sales afdeling voor verder advies en ondersteuning.

7. Service & After-sales

Contact

nomadiQ Europe Customer Service
+31 (0) 85 877 02 92

E-mail: questions@nomadiqbbq.com

Of vul het online contactformulier in: www.nomadiqbbq.com

8. Garantie

Dit is de garantie van nomadiQ die u gratis wordt aangeboden. Hierin vindt u de informatie die u nodig heeft mocht u product onverhoopt niet werken of gebreken vertonen.

Volgens de geldende wetgeving heeft de klant verschillende rechten indien het product gebreken vertoont. Hieronder vallen aanvullende prestaties of vervanging van het product, vermindering van de aankoopprijs en een vergoeding. In de Europese Unie bijvoorbeeld gaat het om een garantie van twee jaar vanaf de dag van ontvangst van het product. Deze en andere wettelijke rechten hebben geen invloed op deze garantie. Deze garantie geeft de eigenaar aanvullende rechten naast de wettelijke garantiebepalingen.

nomadiQ's garantie

nomadiQ garandeert aan de koper van dit product (of in het geval van een cadeau of promotie de persoon waarvoor het is gekocht als cadeau of promotie) dat het product vrij is van materiaal- en fabricagefouten voor de periode die hieronder staat genoemd wanneer het in overeenstemming met de meegeleverde gebruiksaanwijzing wordt gemonteerd en bediend.

Bij normaal persoonlijk gebruik en onderhoud binnen een eengezinswoning of appartement stemt nomadiQ binnen het kader van deze garantie in om defecte onderdelen te repareren of vervangen binnen onderstaande toepasselijke periodes, beperkingen en uitsluitingen. **VOOR ZOVER WETTELIJK TOEGESTAAN GELDT DEZE GARANTIE ALLEEN VOOR DE ORGINELE AANKOPER EN IS NIET OVERDRAAGBAAR AAN EEN VOLGENDE EIGENAAR, MET UITZONDERING VAN EEN CADEAU OF PROMOTIE ZOALS HIERBOVEN REED VERMELD.**

Garantieafhandeling/uitsluiting van garantie

Neem contact op met de klantenservice of aftersales van nomadiQ indien een onderdeel onder deze garantie valt. nomadiQ zal na verder onderzoek het defecte onderdeel dat onder deze garantie valt naar eigen keuze repareren of vervangen. Indien het onderdeel niet gerepareerd of vervangen kan worden, kan nomadiQ naar eigen keuze ervoor kiezen om het desbetreffende product te vervangen door een nieuw product. nomadiQ kan u vragen om onderdelen op te sturen voor onderzoek. Deze GARANTIE vervalt indien er sprake is van beschadigingen, slijtage, verkleuringen en/of roest waarvoor nomadiQ niet verantwoordelijk is en veroorzaakt is door:

- Misbruik, verkeerd gebruik, wijziging, aanpassing, onjuiste toepassing, vandalisme, nalatigheid, onjuiste montage of installatie en het niet regelmatig en juist uitvoeren van normaal- en routineonderhoud;
- Insecten (zoals spinnen) en knaagdieren (zoals eekhoorns), met inbegrip van maar niet beperkt tot schade aan branderbuizen en/of gaslangen;
- Blootstelling aan zilte lucht en/of bronnen van chloor, zoals zwembaden en hottubs/spa's;
- Zeer slechte weersomstandigheden zoals hagel, orkanen, aardbevingen, tsunami's of stortvloed
- tornado's of ernstige stormen.

Door het gebruik en of/ de installatie van onderdelen die niet van nomadiQ zijn vervalt deze garantie en de schade die ontstaat door deze onderdelen valt niet onder deze garantie. Deze garantie vervalt door wijzigingen aan dit product waarvoor nomadiQ geen toestemming heeft gegeven en die niet zijn uitgevoerd door een erkende servicemonteur van nomadiQ.

GARANTIEPERIODES

Basis & barbecuepanelen:

5 jaar, niet doorgeroest/doorgebrand

(2 jaar op de lak met uitzondering van vervalg of verkleuring)

Roestvrij stalen branderbuizen:

5 jaar, niet doorgeroest/doorgebrand

Aluminium roosters met antiaanbaklaag:

5 jaar, niet doorgeroest/doorgebrand

Plastic onderdelen:

(5 jaar met uitzondering van vervalg of verkleuring)

Alle overige onderdelen:

2 jaar

DISCLAIMERS

NAAST DE GARANTIE EN DISCLAIMERS DIE IN DEZE GARANTIEVERKLARING STAAN BESCHREVEN WORDEN ER HIER UITDRUKKELIJK GEEN VERDERE GARANTIE OF VRIJWILLIGE AANSPRAKELIJKHEIDSVERKLARINGEN GEGEVEN DIE VERDER GAAN DAN DE WETTELIJKE AANSPRAKELIJKHEID VAN NOMADIQ. IN DE HUIDIGE GARANTIEVERKLARING WORDEN GEEN SITUATIES OF CLAIMS BEPERKT OF UITGESLOTEN WAAR NOMADIQ VOLGENS DE VOORSCHRIFTEN VERPLICHT AANSPRAKELIJK VOOR IS. DE GARANTIE VERVALT NA DE GELDENDE GARANTIETERMIJNEN. GARANTIE GEGEVEN DOOR PERSONEN, MET INBEGRIJ VAN EEN DEALER OF RETAILER, MET BETREKKING TOT DE PRODUCTEN (ZOALS "AANVULLENDE GARANTIE") IS VOOR NOMADIQ NIET BINDEND. DEZE GARANTIE BEPERKT ZICH TOT REPARATIE OF VERVANGING VAN HET ONDERDEEL OF HET PRODUCT. IN GEEN ENKEL GEVAL ZAL ONDER DEZE VRIJWILLIGE GARANTIE DE REPARATIE OF VERVANGING MEER BEDRAGEN DAN DE AANKOOPPRIJS VAN HET VERKOCHE NOMADIQ-PRODUCT. U DRAAGT DE VERANTWOORDELIJK EN AANSPRAKELIJKHEID VOOR VERLIES, LETSEL BIJ UZELF EN/OF ANDEREN, SCHADE AAN HET PRODUCT EN EIGENDOMMEN DOOR HET ONJUIST GEBRUIK OF MISBRUIK VAN HET PRODUCT OF HET NIET OPVOLGEN VAN DE INSTRUCTIES VAN NOMADIQ IN DE MEEGELEVERDE GEBRUIKSAANWIJZING. OP ONDERDELEN EN ACCESSOIRES DIE IN HET KADER VAN DEZE GARANTIE ZIJN VERVANGEN WORDT UITSLUITEND GARANTIE VERSTREKT TOT DE BOVENSTAANDE ORIGINELE GARANTIEPERIODE(N). DEZE GARANTIE GELDT ALLEEN VOOR PRIVÉGEBRUIK IN EEN EENGEZINSWONING OF APPARTEMENT EN GELDT NIET VOOR NOMADIQ-PRODUCTEN DIE GEBRUIKT WORDEN IN COMMERCIEËLE, GEMEENSCHAPPELIJKE OMGEVINGEN OF OMGEVINGEN MET MEERDERE VESTIGINGEN ZOALS RESTAURANTS, HOTELS, RESORTS OF HUUR-

WONINGEN. NOMADIQ KAN VAN TIJD TOT TIJD HET ONTWERP VAN DE PRODUCTEN WIJZIGEN. NIETS UIT DEZE GARANTIE KAN NOMADIQ VERPLICHTEN OM DERGELIJKE VERANDERINGEN AAN HET ONTWERP IN EERDERE GEPRODUCEERDE PRODUCTEN AAN TE BRENGEN. DERGELIJKE WIJZIGINGEN KUNNEN NIET OPGEVAT WORDEN ALS VERKLARING DAT VORIGE ONTWERPEN GEBREKIG WAREN.

9. Technische specificaties & Ontstekingsinstructies

Fabrikant: nomadiQ	Land van bestemming/landcode(s):
Productnaam: Gasbarbecue voor buiten	(EU Landen) BE, BG, CZ, DK, DE, EE, EL, ES, FR, HR, IT, CY, LV, LT, LU, HU, MT, NL, AT, PL, RO, SI, SK, FI, SE, UK
Modellnummer: CQ_BBQ_OOI	(EVA Landen) CH, IS, LI, NO
Gascategorie: Directe druk Mengsel van butaangas - propaangas	
Uitgangsdruk van de regelaar : 29 mbar	Dit apparaat mag uitsluitend gebruikt worden met een butaan- en propaangascartridge. (bijvoorbeeld: Primus Power Gas, Optimus Gas, MSR Isopro, GoSystem Power-source, Cadac CA445) deze cartridges moeten voldoen aan EN417. Het kan gevaarlijk zijn om andere soorten gasflessen te gebruiken.
Totale warmtetoevoer: 3,3 kW (233 g/h)	
sproeiernaat: 0,64 mm	
Land van oorsprong: Made in PRC Gloucester Road, Wan Chai, HongKong, China	CE O359/18 PIn O359/CT/O3307

INSTRUCTIES VOOR ONTSTEKING – VOOR ALLE BRANDERS
LEES DE INSTRUCTIES ZORGVULDIG DOOR VOOR HET ONTSTEKEN.
WAARSCHUWING: LEUN TIJDENS HET ONTSTEKEN NIET OVER DE BARBECUE.

1. Monteer het apparaat en schroef beide gaslangen aan het apparaat vast (raadpleeg de handleiding voor een correcte installatie).
2. Draai aan beide kanten de regelknop naar "O".
3. Bevestig de gasfles aan de gasregelaar die is aangesloten op de gaslangen.
4. Druk de regelknop in en draai hem tegen de klok in om hem op "maximum" te zetten. "A"
5. Wacht ca. 5 seconden en druk op de ontstekker, de brander zou nu moeten ontsteken.

INDIEN DE BRANDER NA ENKELE POGINGEN NIET ONTSTEKT,
DRAAI DE REGELKNOP DAN NAAR "O" EN RAADPLEEG HET
ONDERDEEL "PROBLEEM OPLOSSEN" VAN DE
HANDLEIDING.



6. Herhaal stap 4 en 5 voor de andere brander.

Manuel d'instructions
Barbecue à gaz portable nomadiQ

Merci!

Merci d'avoir choisi NomadiQ, le premier véritable barbecue à gaz portable au monde. Nous espérons que les instructions de ce manuel vous seront utiles et seront faciles à suivre. Il ne vous faudra que quelques minutes pour apprendre à utiliser le produit correctement pour pouvoir en profiter pleinement. Vous pourrez dorénavant faire des barbecues (presque) partout!

Après avoir lu les instructions, conservez ce manuel pour référence future.

Cordialement,

L'équipe nomadiQ

Table des matières

1. Avertissements et consignes de sécurité	page 60
2. Dessins du produit	page 61
3. Raccordements de gaz et régulateur(s)	page 61
4. Instructions d'utilisation;	page 63
4.1 Préparation à l'utilisation	
4.2 Pendant le fonctionnement	
4.3 Après utilisation	
5. Résolution des problèmes	page 64
6. Nettoyage et maintenance	page 65
7. Service après-vente	page 66
8. Garantie	page 66
9. Spécifications techniques et instructions d'allumage	page 68

I. Avertissements et consignes de sécurité

ATTENTION!

- NE PAS UTILISER CET APPAREIL AVANT D'AVOIR LU ATTENTIVEMENT LE MANUEL D'UTILISATION
- NE PAS UTILISER CET APPAREIL À L'INTÉRIEUR, L'APPAREIL EST UNIQUEMENT DESTINÉ À L'USAGE EXTÉRIEUR
- NE PLACEZ PAS D'OBJETS SUR OU CONTRE CET APPAREIL
- NE PAS ENTREPOSER OU UTILISER DE PRODUITS CHIMIQUES OU DE MATIÈRES INFLAMMABLES OU D'AÉROSOLS PRÈS DE CET APPAREIL
- LISEZ ATTENTIVEMENT CES INSTRUCTIONS POUR VOUS FAMILIARISER AVEC L'APPAREIL AVANT DE LE CONNECTER À SA CARTOUCHE DE GAZ.

DANGER!

SI VOUS SENTEZ UNE ODEUR DE GAZ;

- FERMER LA CONNEXION DE GAZ VERS L'APPAREIL.
- ÉTEIGNEZ TOUTE FLAMME.
- SI L'ODEUR PERSISTE, ÉLOIGNEZ VOUS DE L'APPAREIL ET APPELEZ IMMÉDIATEMENT VOTRE FOURNISSEUR DE GAZ OU VOTRE SERVICE D'INCENDIE.

Une fuite de gaz peut provoquer un incendie ou une explosion pouvant entraîner des blessures corporelles graves, la mort ou des dégâts matériels.

ATTENTION!

SUIVEZ ATTENTIVEMENT TOUTES LES PROCÉDURES DE CONTRÔLE DES FUITES DANS CE MANUEL D'INSTRUCTIONS AVANT LE FONCTIONNEMENT DU BARBECUE. MÊME SI L'ALIMENTATION EN GAZ A ÉTÉ ASSEMBLÉE PAR LE REVENDEUR.

Mises en garde et consignes de sécurité générales

1. Respectez tous les mises en garde et consignes de sécurité lors de l'utilisation de l'appareil
2. Conservez ce manuel d'instructions pour pouvoir vous y reporter ultérieurement.
3. N'utilisez pas ce grill à moins que toutes les pièces soient en place. Le produit doit être correctement assemblé, veuillez suivre attentivement les instructions.
4. Lors de l'installation du produit, assurez-vous qu'il repose sur une surface stable (horizontale), suffisamment grande et solide pour supporter le produit et capable de supporter des températures jusqu'à 60 ° C au-dessus de la température ambiante.
5. Assurez-vous que le produit est suffisamment éloigné de quelconques matériaux inflammables. Tous les matériaux inflammables doivent être conservés à plus de 250 mm des côtés et de l'arrière du produit et à plus de 1500 mm au-dessus de la surface de cuisson du barbecue.
6. Lorsque vous allumez l'appareil ou que vous cuisinez, ne vous penchez jamais au-dessus du produit
7. Cet appareil ne doit jamais être utilisé par des enfants. Les parties accessibles du grill peuvent être très chaudes. Gardez les jeunes enfants, les personnes âgées et les animaux domestiques à une distance de sécurité tout en utilisant le produit.
8. Attention lors de l'utilisation de l'appareil. Il sera chaud pendant et après l'utilisation et ne doit jamais être laissé sans surveillance ou déplacé pendant le fonctionnement.
9. Si le brûleur s'éteint alors que le produit est en marche, éteignez-le en fermant le robinet de gaz. Attendez quelques minutes avant d'essayer de rallumer l'appareil, en suivant les instructions de ce manuel.
10. Ne posez pas de couvercle de grill ni d'objet inflammable sur le grill pendant que l'appareil est en marche ou encore chaud.
11. Les personnes portant des vêtements inflammables tels que le nylon doivent se tenir à l'écart du barbecue lorsqu'il est en marche.
12. En cas de flamme incontrôlée, éloignez les aliments des flammes jusqu'à ce que le feu disparaisse.
13. En cas de feu causé par les graisses, éteignez le brûleur / appareil jusqu'à ce que le feu soit éteint.
14. Ce barbecue à gaz n'est pas destiné à un usage commercial.
15. Un soin particulier doit être apporté lors du retrait des bacs d'égouttage et / ou des bacs à usage unique. Une mauvaise manipulation de l'huile chaude et des graisses peut causer des blessures graves.
16. L'appareil doit être nettoyé à fond régulièrement.
17. Utilisez des outils pour barbecue et / ou des gants de cuisine résistants à la chaleur lors de l'utilisation du grill.
18. Gardez le cordon d'alimentation et le tuyau d'alimentation en carburant à l'écart des surfaces chaudes.
19. N'essayez pas de débrancher le régulateur de gaz, la cartouche ou tout raccord de gaz pendant que votre grill est en marche.
20. Utilisez le régulateur fourni avec l'appareil.
21. Utilisez uniquement des accessoires d'origine ou d'autres pièces d'origine pour travailler avec le produit.

22. Ne faites pas fonctionner le barbecue à gaz en cas de fuite de gaz.
23. N'utilisez pas de flamme pour contrôler les fuites de gaz.
24. Utilisez uniquement des cartouches / bouteilles de butane (jetables). Cartouche de préférence avec une vanne EN417 comme illustré dans ce manuel.
25. Le gaz butane n'est pas du gaz naturel. La conversion ou la tentative d'utilisation de gaz naturel dans une unité de gaz butane est dangereuse et annulera votre garantie.
26. Ne rangez pas de cartouche / bouteille d'alimentation de gaz supplémentaire (de rechange) ou débranchée sous ou à proximité de ce gril.
27. Bien que votre cartouche / bouteille de gaz puisse sembler vide, il peut rester du gaz et la cartouche / bouteille devrait être transportée et stockée en conséquence.
28. Assurez-vous que vous êtes à l'extérieur et éloigné de toute source d'ignition lorsque vous changez ou connectez une cartouche ou un cylindre.
29. Après une longue période de stockage sans utilisation, le barbecue à gaz doit être vérifié avant utilisation pour détecter les fuites de gaz et les obstructions du brûleur. Voir les instructions dans ce manuel d'instructions pour se référer aux procédures.
30. Une cartouche / bouteille de gaz endommagée ou rouillée peut être dangereuse et doit être vérifiée par votre fournisseur de gaz. N'utilisez pas de cartouche / bouteille d'alimentation en gaz avec une vanne endommagée.
31. N'utilisez pas et ne rangez pas cet appareil dans des zones à forte teneur en sel (environnement marin) ou dans des zones contenant des vapeurs caustiques ou des liquides (tels qu'une piscine domestique), car ces produits chimiques risquent de détériorer le matériel de l'appareil (et d'annuler la garantie).
32. N'effectuez aucun entretien sur le collecteur de gaz du barbecue vous-même - cela ne doit être effectué que par des techniciens agréés.
33. N'utilisez pas de charbon de bois, de briquettes ou de pierre de lave dans cet appareil.
34. Ne pas placer le gril sur une vitre ou une surface inflammable.
35. L'usage d'alcool, de médicaments sur ordonnance, de médicaments en vente libre ou de drogues illicites peut nuire à la capacité du consommateur de monter, déplacer, stocker ou utiliser l'appareil de manière appropriée et en toute sécurité.
36. Cet appareil n'est pas destiné à et ne doit jamais être utilisé comme appareil de chauffage.
37. Ne pas agrandir les orifices de la vanne ou du brûleur lors du nettoyage de la vanne ou du brûleur.
38. Ne montez pas cet appareil dans une construction encastrée. Ignorer cet avertissement pourrait provoquer un incendie ou une explosion pouvant endommager les biens et causer des blessures corporelles graves, voire la mort.

2. Dessins du produit

Dessins d'assemblage et liste de pièces, en référence aux **figures 1 & 2 sur la page 3**.

- | | |
|---|--------------------------------------|
| 1. Bandoulière | 11. Base |
| 2. Attaches de la bandoulière (2x) | 12. Allumeur |
| 3. Grilles (2x) | 13. Verrouillage des grilles (2x) |
| 4. Crochet d'assemblage de la grille (4x) | 14. Points d'allumage (2x) |
| 5. Poignées(2x) | 15. Brûleurs(2x) |
| 6. Boîtier de cuisson (2x) | 16. Connecteurs rapides mâle (2x) |
| 7. Boutons de contrôle (2x) | 17. Connecteurs rapides femelle (2x) |
| 8. Egouttoirs (2x) | 18. Tuyau de gaz |
| 9. Pied | 19. Régulateur de gaz |
| 10. Boutons de verrouillage(2x) | |

Les figures d'instruction 3 - 27 pour le fonctionnement sont illustrées aux pages 4 à 9. Retrouvez également les instructions correspondantes dans la section «Mode d'emploi» du manuel.

3. Raccordements de gaz et régulateur(s)

Connexion d'une cartouche de gaz jetable

Le produit est configuré de manière standard pour les cartouches de gaz jetables conformes à la norme EN417 et dotées d'un raccord à vis, comme indiqué sur la figure ci-dessous. Les cartouches doivent contenir du butane. Ce sont des cartouches de gaz de type courant que l'on peut trouver chez presque tous les magasins d'équipements de plein air dans le monde.

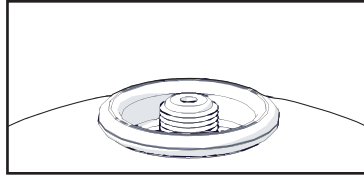


Figure EN417 (Lindal valve)

Lors du raccordement ou du remplacement de la cartouche de gaz;

- Vérifiez que les brûleurs soient éteints et que les deux boutons de commande soient sur la position «O» avant de débrancher la cartouche de gaz, **figure A.**
- Démontez soigneusement la cartouche vide, le cas échéant, du régulateur de gaz en la dévissant dans le sens des aiguilles d'une montre, **figure A.**
- Vérifiez si le joint du régulateur de gaz est en place et en bon état, **figure B**
- Vérifiez si les joints des raccords rapides sont en place et en bon état, **figure C.**
- Assemblez une nouvelle cartouche sur le régulateur de gaz en la vissant dans le sens contraire des aiguilles d'une montre, **figure D.** Faites-le toujours à l'extérieur et à l'écart des invites.
- Assurez-vous qu'il n'y a aucune fuite de gaz, voir 'Procédure de détection de fuite'.
- Si tout semble étanche et connecté correctement, vous pouvez utiliser l'appareil à nouveau.

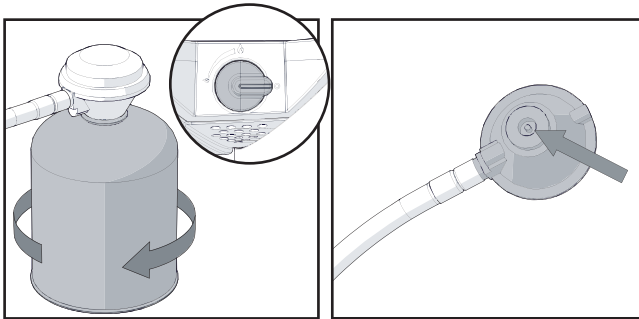


Figure A.

Figure B.

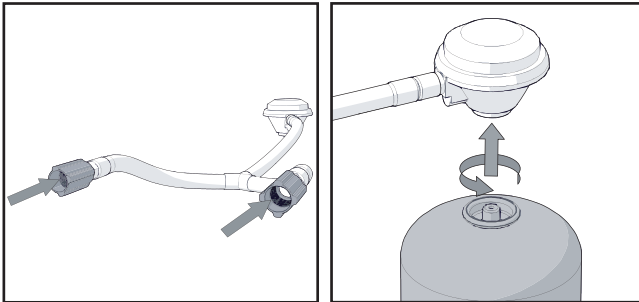


Figure C.

Figure D.

Avant l'utilisation, assurez-vous que la vanne et le raccord à vis ne soient pas endommagés ! Vérifiez également que les joints d'étanchéité (entre l'appareil et le réservoir de gaz) soient en place et en bon état avant de le raccorder au réservoir de gaz.

NomadiQ recommande d'utiliser le tuyau de gaz fourni avec les cartouches de gaz jetables comme indiqué ci-dessus. Lorsque vous envisagez de connecter des sources de gaz alternatives, veuillez contacter notre service après-vente pour obtenir de plus amples conseils.

Instructions supplémentaires et conseils relatifs à l'alimentation en gaz et au raccordement.

- Déconnectez la cartouche si elle est vide

- Déconnectez la cartouche si le gril est rangé dans un garage ou un autre espace clos
- Déconnectez la cartouche si le gril est en cours de transport.
- Évitez de plier le tuyau.
- Assurez-vous que l'alimentation en gaz est placée sur une surface stable et évitez que le tube flexible ne soit tordu.
- Les pièces scellées par le fabricant ne doivent pas être modifiées par l'utilisateur.
- Toute modification de l'appareil peut être dangereuse.
- Les réserves de gaz, en particulier les cartouches, peuvent refroidir pendant l'utilisation et du givre peut être présent sur l'extérieur de la cartouche. Ce phénomène est assez courant mais pourrait également influencer les performances de l'appareil. Placer cartouche de gaz dans une quantité d'eau, en maintenant la partie supérieure de la cartouche suffisamment au-dessus du niveau de l'eau, afin d'empêcher l'apparition de givre.

Procédure de détection de fuite

Assurez-vous que les boutons de commande de l'appareil soient réglés sur «O» et, le cas échéant, ouvrez le robinet de l'alimentation en gaz / du régulateur. Vérifier s'il y a des fuites en badigeonnant les joints avec une solution moitié-liquide détergent et moitié-eau. En cas de fuite, des bulles apparaissent (ou vous pourriez entendre un sifflement). Resserrer les connexions peut généralement réparer un joint qui fuit. Vous devez également vérifier le tuyau de gaz et le raccordement à la bouteille de gaz. Si une fuite ne peut pas être réparée, ne persistez pas. Contactez le service après-vente pour plus de conseils.

ATTENTION!

NE PAS UTILISER DE FLAMME POUR LOCALISER LES FUITES DE GAZ. SI UNE FUITE PERSISTE, CONTACTER UN DISTRIBUTEUR DE GAZ AUTORISÉ.

AVANT CHAQUE UTILISATION, VÉRIFIEZ QU'IL N'Y AIT PAS DE FISSURES, COUPURES, ENTAILLES OU DES TRACES D'USURE. SI LE TUYAU EST ENDOMMAGÉ DE QUELQUE MANIÈRE QUE CE SOIT, NE L'UTILISEZ PAS. REMPLACER LE TUYAU DE GAZ EN UTILISANT UNIQUEMENT UN TUYAU DE REMPLACEMENT NOMADIQ.

4. Instructions d'utilisation

Veuillez suivre attentivement les instructions ci-dessous avec les figures sur les **page 4 à 9**.

4.1 Préparation à l'utilisation

Etape 1: Retirez la bandoulière, **figure 3**

Etape 2: Retirez la pochette de protection. (Cette étape est facultative, car cela dépend si l'appareil a été livré en plus avec cet accessoire.)

Etape 3: Ouvrir le premier mécanisme de verrouillage en ouvrant le pied sous la base, **figure 4**

Etape 4: Ouvrez les deux boutons de verrouillage de chaque côté du produit, **figure 5**

Etape 5: Le boîtier de cuisson est libéré et peut être retiré et ouvert, **figure 6 et 7**

Etape 6: Fermez les boutons de verrouillage des deux côtés du gril, **figure 8**

Etape 7: Installer des bacs d'égouttement au pied de l'appareil, **figure 9**

Etape 8: Assemblez les raccords rapides de l'ensemble tuyau de gaz sur chaque partie du boîtier, **figure 10 et 11**

Etape 9: Raccordez l'alimentation en gaz au régulateur de gaz, assurez-vous que les boutons de commande du produit soient réglés sur «O», **figure 12**

Pour plus d'informations sur le raccordement du gaz (alimentation), reportez-vous également à la section «Raccordement du gaz» de ce manuel.

4.2 Pendant le fonctionnement

Etape 10: Ouvrez la vanne en réglant le bouton de commande sur le réglage le plus élevé, attendez quelques secondes et appuyez sur l'allumeur situé sur le côté de la base du produit, **figure 13 et 14**

Cette étape peut être appliquée et contrôlée individuellement pour chaque partie du gril.

Etape 11: Contrôlez la flamme et la température du brûleur en ajustant le bouton de commande, **figure 15**

Reférez-vous également aux «Instructions d'allumage» à la page 68 de ce manuel pour plus d'instructions.

Astuces pendant le fonctionnement

- Une légère couche d'huile aide à dorer vos aliments de manière uniforme et les empêche de coller aux grilles. Vaporisez ou badigeonnez toujours de l'huile sur vos ingrédients, mais pas directement sur le grill pendant son utilisation
- Les conditions de grillage peuvent nécessiter un réglage des boutons de commande pour obtenir des températures de grill correctes
- Lorsque vous utilisez une sauce ou une marinade à forte teneur en sucre ou d'autres ingrédients qui brûlent facilement, appliquez-la uniquement sur les aliments au cours des 5 à 10 dernières minutes de cuisson.
- Enlevez l'excès de graisse des côtelettes, des rôtis et des steaks. Moins de graisse facilite le nettoyage et prévient les flammes indésirables
- Assurez-vous toujours que les boîtiers et les plateaux d'égouttage sont propres avant de les utiliser.

Pour plus de «Trucs et astuces» pendant le fonctionnement de l'appareil, visitez www.nomadiqbbq.com

4.3 Après utilisation

Etape 12: Éteignez l'appareil en fermant la vanne et en tournant les boutons de commande sur le réglage «O», **figure 16**

Etape 13: **Laissez l'appareil refroidir pendant 10 à 15 minutes!**

Etape 14: Démontez l'alimentation en gaz et retirez le tuyau de gaz, **figure 17**

Etape 15: Retirez et nettoyez les bacs d'égouttage

Etape 16: Enlevez les grilles et nettoyez l'intérieur des boîtiers et des plaques avec une serviette de nettoyage / une serviette jetable, **figure 18 et 19**

Etape 17: Assemblez les grilles, assurez-vous qu'elles soient correctement positionnées sur les 2 crochets et verrouillez-les en croisant les grilles sous les attaches (situées près de la charnière), **figure 20**

Etape 18: Ouvrez les boutons de verrouillage de chaque côté de l'appareil, **figure 21**

Etape 19: Fermez les parties du boîtier en les faisant glisser dans la base de l'appareil, **figure 22 et 23**

Etape 20: Fermez les boutons de verrouillage de chaque côté de l'appareil, **figure 24**

Etape 21: Fermez le pied en le tournant sous la base de l'appareil, **figure 25**

Etape 22: Monter la bandoulière, **figure 26**

Glissez éventuellement l'appareil dans la pochette de protection avant l'Étape 22'.

...et vous êtes prêts à repartir pour un tour!

5. Résolution des problèmes

LE BRULEUR NE S'ALLUME PAS LORS DE L'UTILISATION DE L'ALLUMAGE

La vanne n'est pas allumée / ouverte --> Mettre la vanne sur ON / Ouvrir la vanne.

Le tuyau de gaz et / ou l'alimentation en gaz n'est pas installé correctement --> Réassemblez l'alimentation en gaz, le tuyau de gaz et les raccords rapides.

La cartouche de gaz / le cylindre est presque vide ou vide --> Remplacer avec une cartouche pleine.

L'allumeur ne produit pas d'étincelles --> Enlève les grilles et nettoyez soigneusement les points d'allumage avec une brosse à dents

L'allumeur ne produit pas d'étincelles --> Ouvrez les verrouillages latéraux et déplacez les deux parties du boîtier à griller sur un côté. Assurez-vous que les câbles du point d'allumage ou du châssis n'ont pas été cassés ou débranchés

L'injection est bloquée --> Contacter le SAV pour plus d'informations

LA FLAMME DU BRULEUR EST IRREGULIERE

Le brûleur est bloqué --> Enlevez les grilles et nettoyez soigneusement les trous avec une brosse à dents «dure».

La flamme brûle à l'intérieur du brûleur (sifflement) --> Éteignez le brûleur / appareil, laissez-le refroidir pendant quelques minutes et rallumez-le.

L'injecteur est partiellement bloqué --> Contacter le SAV pour plus d'informations.

LE GAZ FUIT AU NIVEAU DES RACCORDEMENTS

Les connexions sont desserrées --> Resserrez les connexions desserrées (connecteurs rapides et ensemble régulateur / alimentation en gaz).

Consultez également la section "Procédure de détection de fuite" dans la section "Raccordements de gaz et régulateur" de ce manuel ou contactez le service après-vente pour obtenir plus d'informations.

6. Nettoyage et maintenance

Nettoyage extérieur

Avant de nettoyer l'extérieur de l'appareil, assurez-vous qu'il ait refroidi et qu'il puisse être touché sans danger. Les surfaces peintes et en plastique peuvent être nettoyées à l'aide d'un détergent ménager doux ou d'un détergent doux et d'un chiffon de nettoyage sec (ne pas utiliser de récureur ni de détergent agressif). Il est conseillé de commencer par tester les nettoyants sur une petite partie de l'appareil. NE JAMAIS utiliser de diluants pour peinture ou de solvants similaires pour le nettoyage et NE JAMAIS verser de l'eau froide sur des surfaces chaudes. Assurez-vous que toutes les surfaces soient soigneusement séchées avant de couvrir et de stocker le produit.

Nettoyage interne

Avant de nettoyer les parties internes de votre barbecue, assurez-vous que l'appareil ait complètement refroidi et qu'il puisse être touché sans danger. L'intérieur peut être nettoyé avec de l'eau, un détergent doux et une éponge douce ou un chiffon de nettoyage. Les surfaces revêtues d'adhésif (à l'intérieur du boîtier du grill) doivent être nettoyées soigneusement avec un chiffon de nettoyage légèrement humide. Pour les zones difficiles à nettoyer, utilisez un peu de bicarbonate de soude sur une éponge humide et / ou une brosse douce. Les grilles avec revêtement antiadhésif peuvent être retirées et nettoyées facilement sous le robinet avec de l'eau et un détergent doux. Toutes les pièces et la surface doivent ensuite être séchées à l'aide d'un chiffon de nettoyage doux et sec.

ATTENTION! Les allumeurs situés dans le boîtier près du brûleur sont coupants. Faites attention pendant le nettoyage afin d'éviter les blessures.

Remarque: Les surfaces à revêtement antiadhésif, comme les grilles, se tachent si des aliments sont brûlés sur leurs surfaces. N'utilisez pas de nettoyants abrasifs ni d'équipement pointu et / ou dur, comme des outils de cuisine en métal ou des brosses, sur ces surfaces, car cela pourrait endommager ce type de revêtements!

Nettoyage approfondi et entretien annuel

Pour un nettoyage en profondeur, les parties du boîtier du grill peuvent être enlevées pour nettoyer la partie intérieure de la base. Veuillez suivre attentivement les instructions ci-dessous en combinaison avec les figures indiquées sur **page 9**.

1. Démontez les parties du boîtier en suivant les étapes 1 à 4, comme indiqué dans la section «Mode d'emploi». Sortez les deux parties du boîtier et faites-les basculer doucement vers un côté du barbecue, **figure 28**
2. Déconnectez / débranchez avec précaution les deux fils de l'allumeur situé au bas de la base, **figure 29**
3. Remettez les deux parties du boîtier en position verticale et faites-les glisser à mi-chemin de la base. Inclinez les parties du boîtier latéralement pour que les broches de guidage soient libérées de la base, **figure 30**
4. Libérez les deux parties du boîtier, toujours inclinées, dans un mouvement vertical hors de la base. La surface intérieure de la base ainsi que la surface extérieure des parties du boîtier sont maintenant accessibles pour le nettoyage, **figure 31**
5. Après le nettoyage, les parties du boîtier peuvent être replacées dans la base en suivant les étapes ci-dessus et vice-versa. Pour éviter tout dommage, assurez-vous que les deux broches de guidage des parties du boîtier soient correctement placées dans les encoches de guidage désignées de la base avant de faire glisser les parties du boîtier dans la base.

Nettoyage et entretien du brûleur.

Il est vivement recommandé d'inspecter et de nettoyer le tube du brûleur au moins une fois par an pour que votre barbecue à gaz fonctionne de manière sûre et efficace. Pour retirer le (s) brûleur (s) en vue d'un nettoyage et d'une inspection approfondis, veuillez suivre scrupuleusement les instructions ci-dessous, ainsi que les figures de référence indiqués sur les figures en **page 9**.

Suivez également ces étapes si une flamme irrégulière est peut-être observée.

1. Assurez-vous que l'alimentation en gaz soit fermée et que le barbecue à gaz ait refroidi correctement. Retirez les 2 vis situées au centre du brûleur des parties du boîtier, à l'aide d'un tournevis cruciforme, puis faites glisser le brûleur doucement hors du boîtier, **figure 32**
2. Les informations ci-dessous doivent être prises en compte lors de l'inspection et du nettoyage, **figure 33**:
 - En cas d'utilisation répétée du grill, les ouvertures du brûleur peuvent se salir avec le temps. Des orifices sales et bloqués peuvent limiter le débit de gaz, ce qui peut entraîner des situations dangereuses.
 - Inspectez l'intérieur du tube du brûleur avec une lampe de poche pour déterminer si une obstruction est visible, ce qui limiterait le flux de gaz aux ouvertures du brûleur.

Si un obstacle est visible à l'intérieur ou à l'extérieur, nettoyez la zone avec une brosse en acier ou un fil en acier. Assurez-vous que toutes les zones bloquées soient propres avant de réinstaller le brûleur dans le gril.

Pour installer ou remplacer le brûleur, remplacez le brûleur dans le gril. Assurez-vous que le tube soit correctement placé sur l'orifice pour le gaz et serrez les 2 vis.

Rangement

Lorsque l'appareil n'est pas utilisé, le robinet de la bouteille doit être fermé, l'appareil et la bouteille doivent être rangés à l'extérieur dans un endroit bien ventilé. Cependant, il est possible de ranger l'appareil (mais pas le cylindre) à l'intérieur. Assurez-vous que les grilles soient bien nettoyées avant de les ranger. Lorsque la bouteille de gaz est débranchée, remplacez le bouchon ou le capuchon sur la sortie de la vanne, le cas échéant.

Stockage de longue durée

Après un stockage prolongé, il est recommandé de nettoyer et de vérifier le brûleur et l'alimentation en gaz, en suivant les instructions ci-dessous.

Brûleur(s)

Brosser l'extérieur des brûleurs avec une brosse dure, par exemple une brosse à dents «dure», pour éliminer les taches et la saleté. Veillez à ne pas endommager les points d'allumage de l'allumeur.

Alimentation en gaz et raccordement

1. Inspectez le tuyau de gaz pour vous assurer qu'il n'est pas détérioré et remplacez-le si nécessaire.
2. Recherchez les fuites éventuelles dans le circuit de gaz et corrigez-les, reportez-vous également à la section «Procédure de détection des fuites» dans la section Raccordements et régulateurs de gaz de ce manuel.
3. Vérifiez que les joints du tuyau de gaz (entre l'appareil et le réservoir de gaz) soient en place et en bon état, également avant de raccorder un (nouveau) réservoir de gaz. Ces joints sont situés dans les raccords rapides et le régulateur de gaz. Vous trouverez également l'emplacement exact à l'aide des illustrations de la **page 62**, du chapitre "**Raccordement(s) et régulateur(s) de gaz**". S'il semble que les joints doivent être remplacés, contactez notre service après-vente pour obtenir des conseils et une assistance supplémentaire.

7. Service après-vente

Contact

Service clientèle Europe nomadiQ
+31 (0) 85 877 02 92

E-mail: questions@nomadiqbbq.com

Ou remplissez le formulaire de contact en ligne: www.nomadiqbbq.com

8. Garantie

La garantie NomadiQ vous est fournie sans frais supplémentaires. Elle contient les informations nécessaires à la réparation de votre produit dans le cas improbable d'une panne ou d'un défaut.

Conformément aux lois en vigueur, le client dispose de plusieurs droits en cas de défectuosité du produit. Ces droits incluent réparation ou le remplacement, une remise sur le prix d'achat et une compensation. Dans l'Union européenne, par exemple, il s'agirait d'une garantie légale de deux ans à compter de la date de la livraison du produit. Ces droits, ainsi que d'autres droits statutaires, ne sont pas affectés par cette clause de garantie. Cette garantie confère au propriétaire des droits supplémentaires qui sont indépendants des dispositions légales de la garantie.

Garantie nomadiQ

NomadiQ garantit à l'acheteur du produit (ou dans le cas d'un cadeau ou d'une situation promotionnelle, la personne pour qui il a été acheté comme cadeau ou objet promotionnel), que le produit est exempt de vices de fabrication pour la période spécifiée ci-dessous lorsqu'il est assemblé et utilisé conformément au manuel d'instruction joint.

Dans le cadre de la présente garantie, nomadiQ s'engage normalement à réparer ou à remplacer les piè-

ces défectueuses dans les délais, limites et exclusions applicables énumérés ci-dessous. DANS LES LIMITES PREVUES PAR LA LOI APPLICABLE, CETTE GARANTIE S'ÉTEND À L'ACHETEUR INITIAL ET NE PEUT ÊTRE TRANSFÉRABLE AUX PROPRIÉTAIRES SUBSÉQUENTS, SAUF DANS LE CAS DE CADEAUX ET D'ARTICLES PROMOTIONNELS TELS QUE PRÉVU CI-DESSUS.

Responsabilités du propriétaire sous cette garantie

Pour garantir une couverture de garantie sans faille, il est important que vous enregistriez votre produit nomadiQ en ligne sur www.nomadiQbbq.com, ou vers un site Web spécifique à un pays vers lequel le propriétaire peut être redirigé. Veuillez également conserver votre facture originale ou preuve d'achat. L'enregistrement de votre produit confirme la couverture de votre garantie et fournit un lien direct entre vous et nomadiQ au cas où nous aurions besoin de vous contacter. La garantie ci-dessus ne s'applique que si le propriétaire prend raisonnablement soin du produit en suivant toutes les instructions décrites dans le manuel d'instructions fourni, à moins que le propriétaire ne puisse prouver que le défaut ou la défaillance est indépendant du non-respect des obligations susmentionnées. Si vous habitez dans une zone côtière ou si votre produit est situé près d'une piscine, l'entretien inclut le lavage et le rinçage réguliers des surfaces extérieures.

Traitement de la garantie / Exclusion de la garantie

Si vous pensez avoir une pièce défectueuse couverte par cette garantie, veuillez contacter le service après-vente de nomadiQ

Après enquête, nomadiQ réparera ou remplacera (à sa discrétion) une pièce défectueuse couverte par cette garantie. Si la réparation ou le remplacement ne sont pas possibles, NomadiQ peut choisir (à sa discrétion) de remplacer l'appareil en question par un nouvel appareil. NomadiQ peut vous demander de renvoyer des pièces pour inspection. Cette Garantie devient caduque en cas de dommages, détériorations, décolorations et / ou rouille pour lesquels nomadiQ n'est pas responsable et en case de dommages causés par:

- Manipulation incorrecte, mauvaise utilisation, altération, modification, mauvaise application, vandalisme, négligence, montage ou installation non conforme, et non-respect de l'entretien normal et de routine;
- Insectes (tels que les araignées) et rongeurs (tels que les écureuils), y compris, sans toutefois s'y limiter, les dommages causés aux tubes des brûleurs;
- Exposition à l'air salin et / ou aux sources de chlore telles que les piscines et les jacuzzis / spas;
- Les conditions météorologiques extrêmes telles que la grêle, les ouragans, les tremblements de terre, les tsunamis ou les cyclones, les tornades ou les tempêtes violentes.

L'utilisation et / ou l'installation sur votre produit de pièces qui ne sont pas des pièces nomadiQ annulera la présente garantie et les dommages résultant de ce fait ne seront pas couverts par cette garantie. Toute conversion d'un appareil non autorisée par nomadiQ et effectuée par un technicien de maintenance non- autorisé par nomadiQ annulera cette garantie.

PÉRIODES DE GARANTIE DU PRODUIT

Base et parties du boîtier:

5 ans, sans rouille / brûlure

(2 pour la peinture sans compter la décoloration)

Tubes de brûleur en acier inoxydable:

5 ans, sans rouille / brûlure

Grilles en aluminium moulé sous pression:

5 ans, sans rouille / brûlure

Composants en plastique:

5 ans, sans compter la décoloration

Toutes les autres parties:


2 ans

LIMITATIONS DE RESPONSABILITÉ

AU-DELÀ DE LA GARANTIE ET DES LIMITATIONS DE RESPONSABILITÉ DÉCRITES DANS CETTE DÉCLARATION DE GARANTIE, IL N'Y A AUCUNE GARANTIE OU DECLARATIONS VOLONTAIRES DE RESPONSABILITÉ DONNÉES QUI IRONT AU-DELA DE LA RESPONSABILITE STATUTAIRE S'APPLIQUANT À NOMADIQ. LA PRESENTE GARANTIE NE LIMITE NI N'EXCLUT PAS LES SITUATIONS OU LES RÉCLAMATIONS LORSQUE NOMADIQ A UNE RESPONSABILITÉ OBLIGATOIRE TELLE QUE PRÉVUE PAR LA LOI. AUCUNE GARANTIE NE SERA APPLICABLE APRÈS LES PÉRIODES APPLICABLES DE CETTE GARANTIE. AUCUNE AUTRE GARANTIE DONNÉE PAR UNE PERSONNE, INCLUANT UN REVENDEUR OU UN DETAILLANT, CONCERNANT TOUT PRODUIT (TELLE QU'UNE «GARANTIE PROLONGÉE»), NE POURRA ENGAGER LA RESPONSABILITE DE NOMADIQ. LE RECOURS EXCLUSIF DE CETTE GARANTIE EST LA RÉPARATION OU LE REMPLACEMENT DE LA PIÈCE OU DU PRODUIT. EN AUCUN CAS, SOUS CETTE GARANTIE VOLONTAIRE, LA GARANTIE NE SERA PLUS ÉLEVÉE QUE LE MONTANT DU PRIX D'ACHAT DU PRODUIT NOMADIQ VENDU. VOUS ASSUMEZ LE RISQUE ET LA RESPONSABILITÉ EN CAS DE PERTE, DE DOMMAGES OU DE BLESSURES SUR VOTRE PROPRIÉTÉ ET / OU D'AUTRES PERSONNES


ET LEUR PROPRIÉTÉ DÉCOULANT D'UNE MAUVAISE UTILISATION OU DE L'ABUS DU PRODUIT OU DU MANQUEMENT AUX INSTRUCTIONS FOURNIES PAR NOMADIQ DANS LE MANUEL LIVRE AVEC LE PRODUIT. LES PIÈCES ET ACCESSOIRES REMPLACÉS SOUS CETTE GARANTIE SONT GARANTIS UNIQUEMENT POUR LE RESTANT DE LA PÉRIODE DE GARANTIE ORIGINALE MENTIONNÉE CI-DESSUS. CETTE GARANTIE NE S'APPLIQUE UNIQUEMENT A L'UTILISATION DE L'APPAREIL DANS DES MAISONS ET APPARTEMENTS FAMILIAUX PRIVÉS, ET NE S'APPLIQUE PAS AUX APPAREILS NOMADIQ UTILISÉS DANS DES CONTEXTES COMMERCIAUX, COMMUNAUX, TELS QUE DES RESTAURANTS, DES HÔTELS, DES COMPLEXES DE VACANCES OU MAISONS DE LOCATION. NOMADIQ PEUT CHANGER LA CONCEPTION DE SES PRODUITS A TOUT MOMENT. RIEN DANS LA PRÉSENTE GARANTIE NE PEUT ÊTRE INTERPRÉTÉ COMME OBLIGEANT NOMADIQ A INCORPORER DE TELS CHANGEMENTS DE CONCEPTION DANS DES PRODUITS FABRIQUÉS ANTERIEUREMENT, NI A AUTORISER DE TELLES MODIFICATIONS DANS LA CONCEPTION DE PRODUITS PRÉCÉDEMMENT FABRIQUÉS.


9. Spécifications techniques et instructions d'allumage

Fabricant : nomadiQ	A destinations des pays :
Nom du produit : Barbecue à gaz d'extérieur	Paises de la UE) BE, BG, CZ, DK, DE, EE, EL, ES, FR, HR, IT, CY, LV, LT, LU, HU, MT, NL, AT, PL, RO, SI, SK, FI, SE, UK
Numéro de modèle: CQ_BBQ_001	(Pays de l'AELE) CH, IS, LL, NO
Catégorie du gaz : Pression direct – Butane	Cet appareil doit être utilisé avec les cartouches de butane sous pression directe (par exemple: Primus Power Gas, Optimus Gas, MSR Isopro, GoSystem Powersource, Cadac CA445). Ces cartouches doivent être conforme à la norme EN417. Il peut être dangereux d'utiliser d'autres types de cartouches de gaz.
Pression du régulateur : 29 mbar	
Apport total de chaleur: 3,2 kW (233g / h)	
Taille de la buse : 0,64mm	
Pays d'origine : Fabrique en RPC	
Gloucester Road, Wan Chai, HongKong, China	 0359/18 Pin 0359/CT/03307

INSTRUCTIONS D'ALLUMAGE - POUR TOUS LES BRULEURS

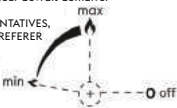
LIRE ATTENTIVEMENT LES INSTRUCTIONS AVANT L'ALLUMAGE.

 **ATTENTION : NE PAS SE PENCHER AU DESSUS DU GRIL PENDANT L'ALLUMAGE**

1. Installez l'appareil et vissez les tuyaux d'alimentation en gaz à l'appareil (se référer au manuel pour l'installation)
2. Tournez le bouton de contrôle des deux côtés sur la position « O ».
3. Insérez une cartouche de gaz au régulateur connecte aux tuyaux
4. Appuyer et tourner le bouton de contrôle dans le sens contraire des aiguilles d'une montre jusqu'au réglage maximum 
5. Attendez 5 secondes et appuyez sur l'allumeur, le bruleur devrait démarrer

SI LE BRULEUR NE S'ALLUME PAS APRES PLUSIEURS TENTATIVES, TOURNEZ LE BOUTON DE CONTROLE SUR « O » ET SE REFERER AU MANUEL POUR LA RESOLUTION DES PROBLEMES.

6. Répétez les étapes 4 et 5 ci-dessus pour le deuxième bruleur.



nomadiQ

bbq everywhere

WWW.NOMADIQBBQ.COM